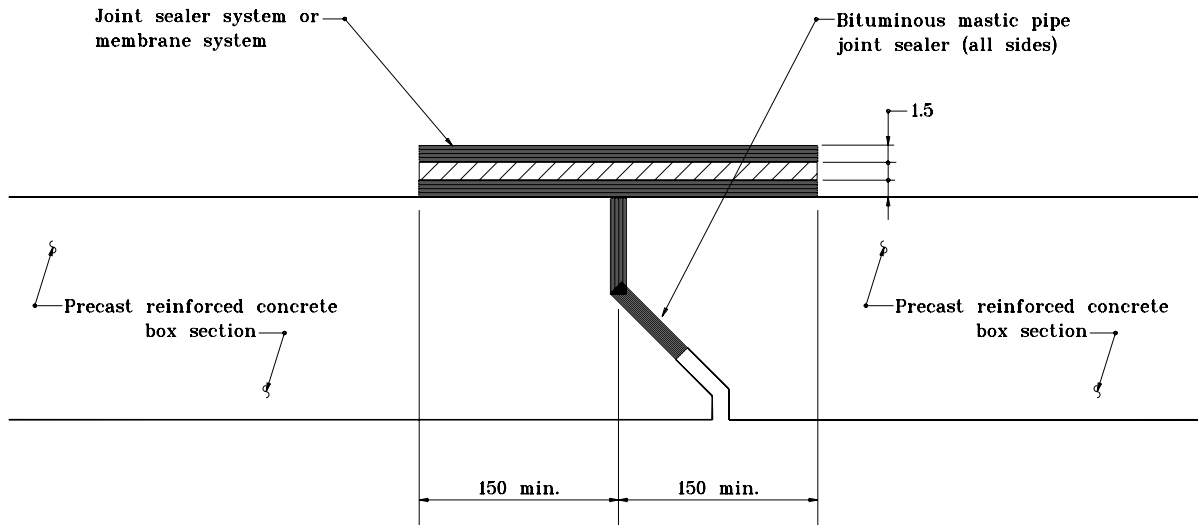


Top and sides of structure



Inside of structure

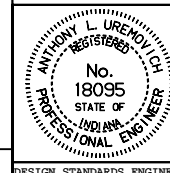
All dimensions are in mm unless otherwise specified.

INDIANA DEPARTMENT OF TRANSPORTATION

**PRECAST REINFORCED CONCRETE
BOX SECTION JOINT**

MAY 1999

STANDARD DRAWING NO. 714-BCJT-01



/s/ Anthony L. Uremovich 5-03-99
DESIGN STANDARDS ENGINEER DATE

/s/ Donald W. Lucas 5-03-99
CHIEF HIGHWAY ENGINEER DATE

Source Sheet:

DESIGN STANDARDS ENGINEER