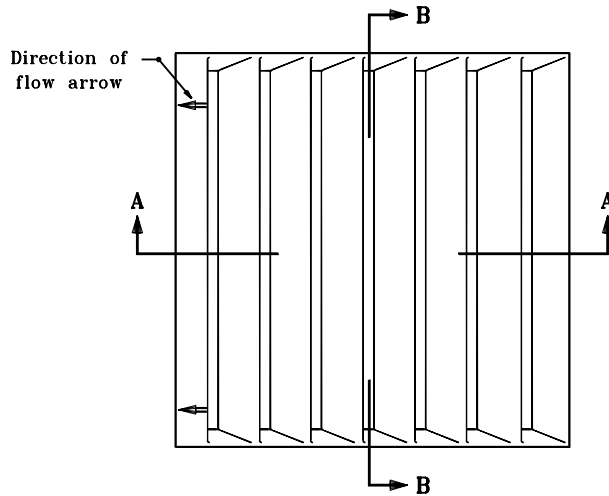
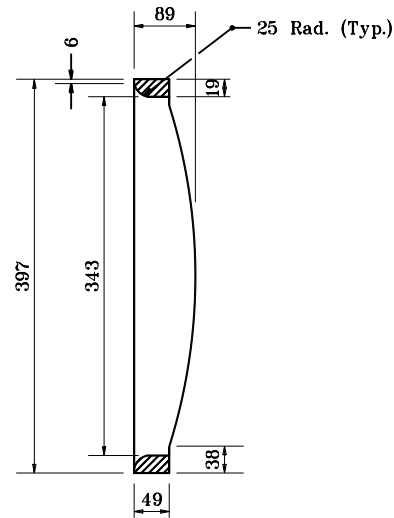


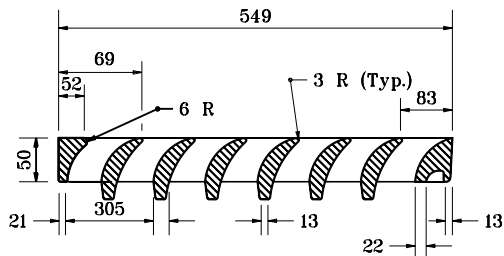
DETAIL OF SECTION A-A



PLAN



SECTION B-B



SECTION A-A

**GRATE
CASTING TYPE 8 & 9**

All dimensions are in mm unless otherwise specified.

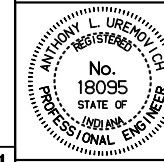
INDIANA DEPARTMENT OF TRANSPORTATION

CASTINGS TYPE 8 AND 9

GRATE

APRIL 1995

STANDARD DRAWING NO. **720-ICCA-05**



/s/ Anthony L. Uremovich 4-03-95
DESIGN STANDARDS ENGINEER DATE

/s/ Donald W. Lucas 4-03-95
CHIEF HIGHWAY ENGINEER DATE

Source Sheet: **MCI**

DESIGN STANDARDS ENGINEER