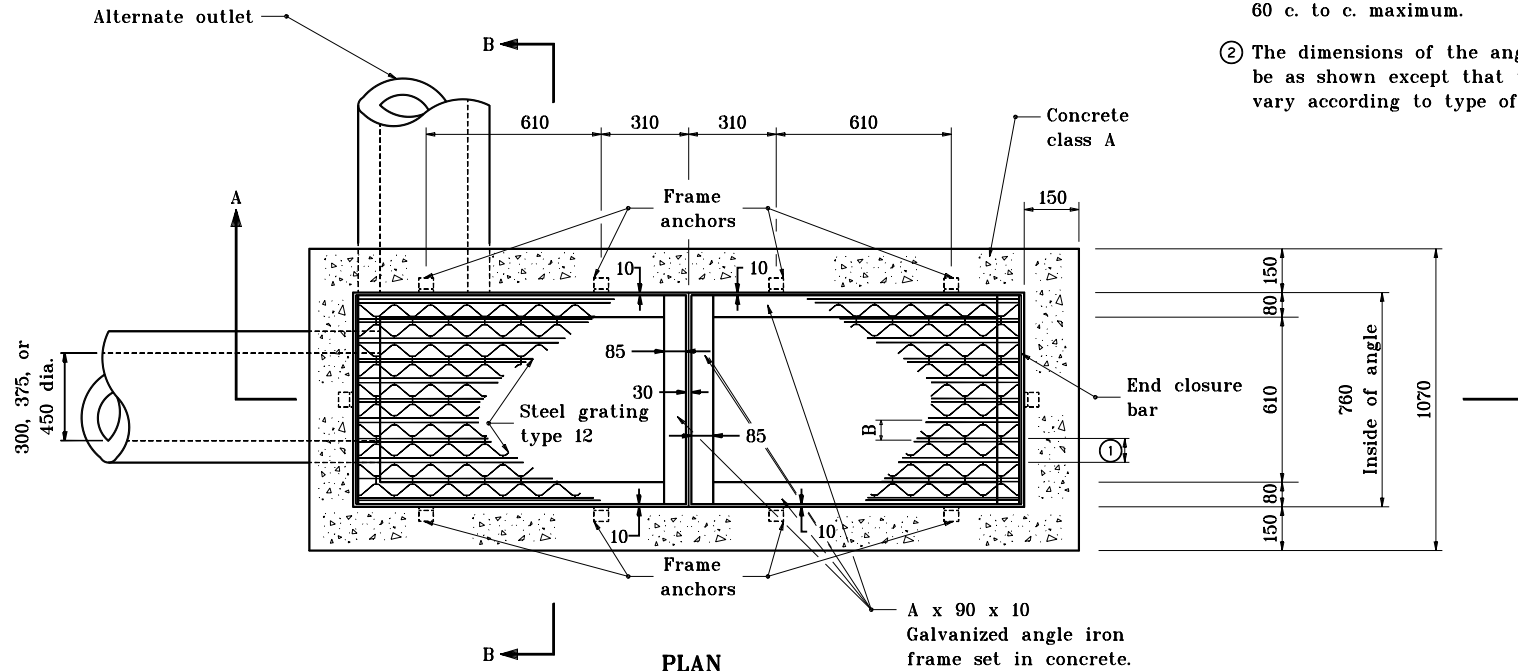
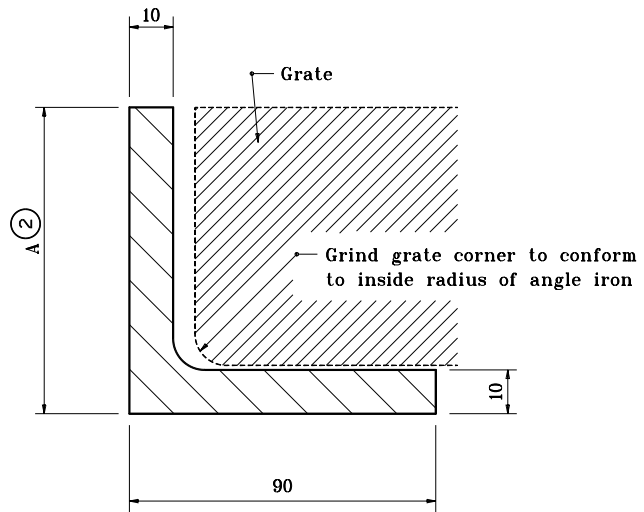


GENERAL NOTES

- ① Bar spacing shall be 50 c. to c. minimum and 60 c. to c. maximum.
- ② The dimensions of the angle iron frame shall be as shown except that the A dimension may vary according to type of grating used.



PLAN



ANGLE IRON FRAME DETAIL

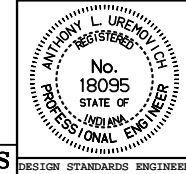
All dimensions are in mm unless otherwise specified.

INDIANA DEPARTMENT OF TRANSPORTATION

**CASTING TYPE 12
GRATE AND FRAME**

APRIL 1995

STANDARD DRAWING NO. 720-ICCA-10



/s/ Anthony L. Uremovich 4-03-95
DESIGN STANDARDS ENGINEER DATE

/s/ Donald W. Lucas 4-03-95
CHIEF HIGHWAY ENGINEER DATE

Source Sheet: MS

DESIGN STANDARDS ENGINEER