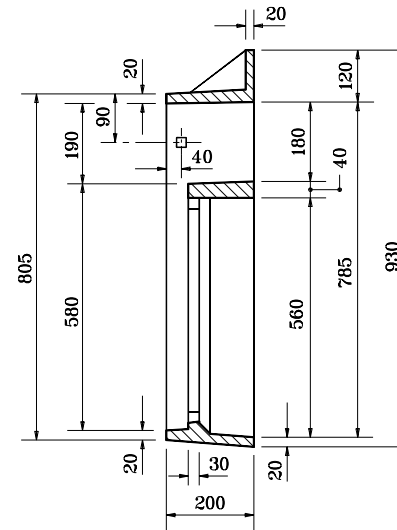
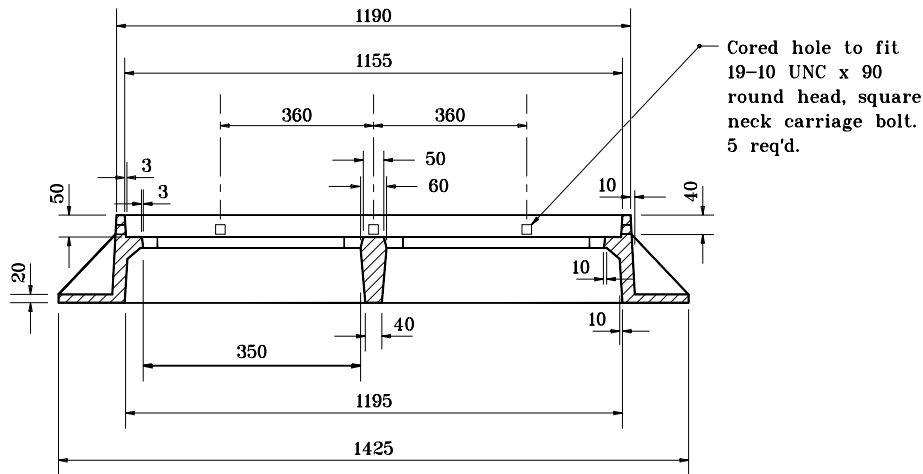


PLAN VIEW



SECTION B-B



SECTION A-A

All dimensions are in mm unless otherwise specified.

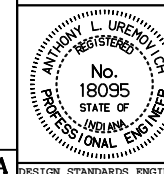
INDIANA DEPARTMENT OF TRANSPORTATION

CASTINGS TYPE 15 AND 16

FRAME

APRIL 1995

STANDARD DRAWING NO. 720-ICCA-16



/s/ Anthony L. Uremovich 4-03-95
DESIGN STANDARDS ENGINEER DATE

/s/ Donald W. Lucas 4-03-95
CHIEF HIGHWAY ENGINEER DATE

Source Sheet: MC2A

DESIGN STANDARDS ENGINEER