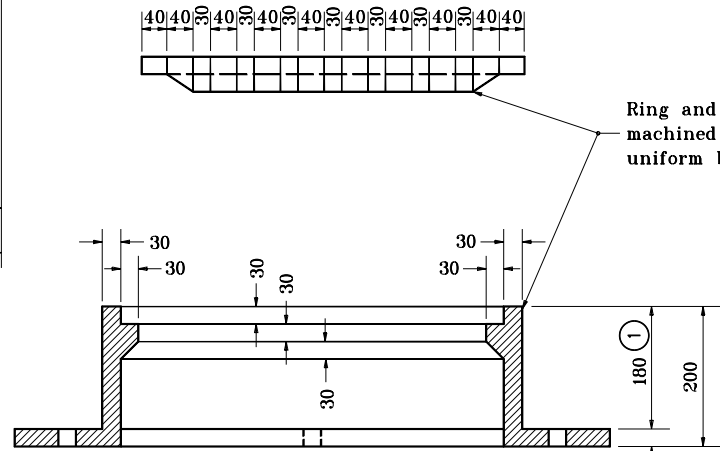
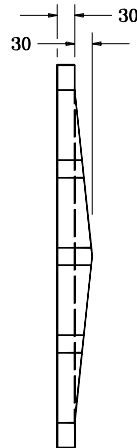
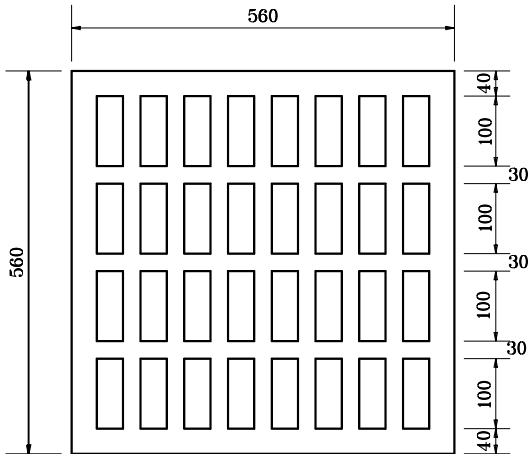
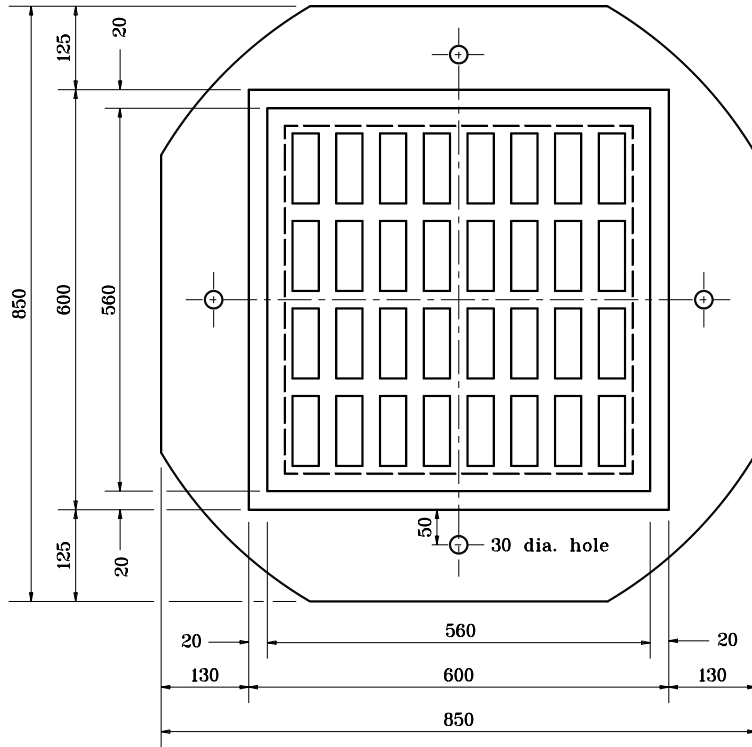


**GENERAL NOTES**

- ① Thickness for all manhole rings shall be a minimum of 180 when placed in flexible pavement and equal to the thickness of pavement when placed in concrete pavement, with a minimum of 180.



Ring and cover to be machined to secure uniform bearing.

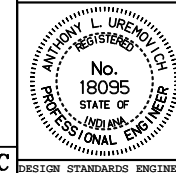
All dimensions are in mm unless otherwise specified.

INDIANA DEPARTMENT OF TRANSPORTATION

**FLAT TOP  
GRATE CASTING**

APRIL 1995

STANDARD DRAWING NO. 720-MHCA-01



/s/ Anthony L. Uremovich 4-03-95  
DESIGN STANDARDS ENGINEER DATE

/s/ Donald W. Lucas 4-03-95  
CHIEF HIGHWAY ENGINEER DATE

**TYPE 2 RING & COVER**

Source Sheet: MC

DESIGN STANDARDS ENGINEER