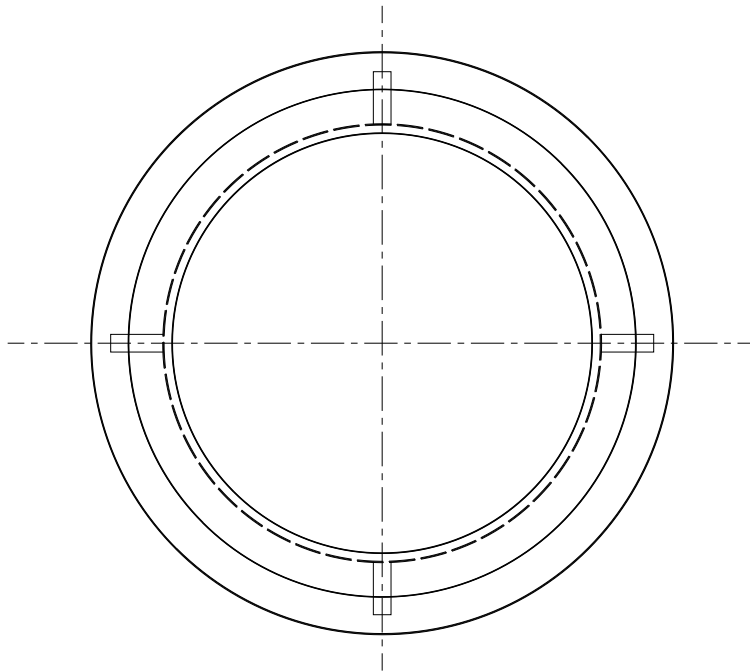
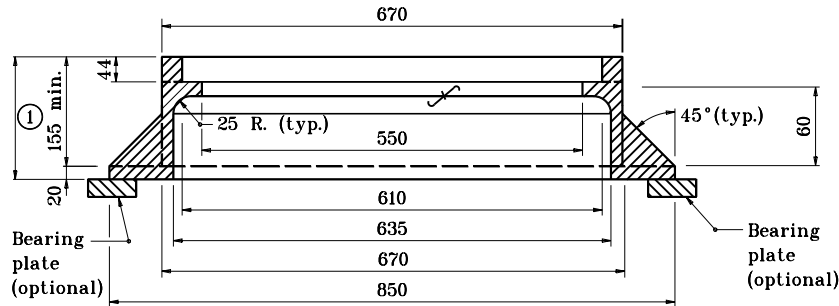
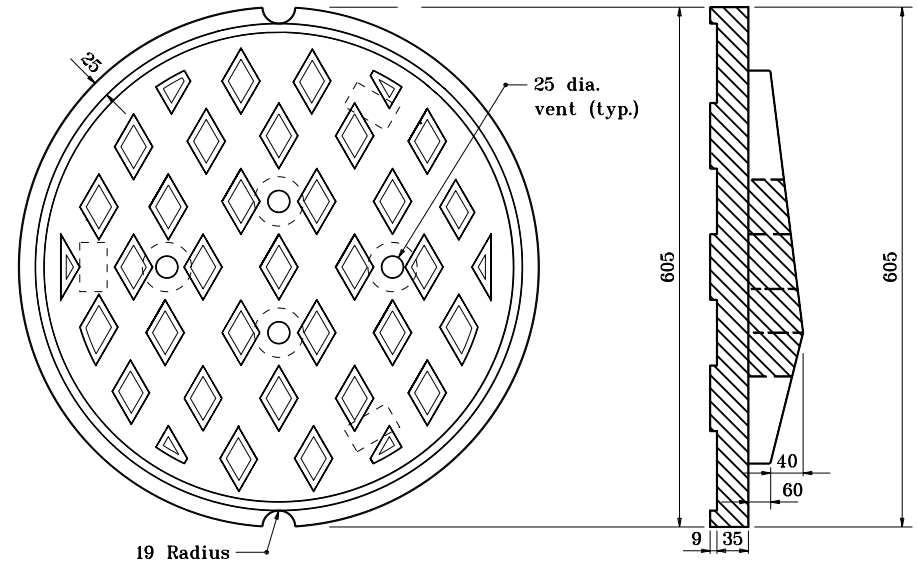


GENERAL NOTES

- ① Thickness for all manhole rings shall be a minimum of 175 when placed in flexible pavement and equal to the thickness of pavement when placed in concrete pavement, with a minimum of 175.

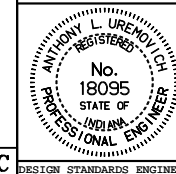


Ring may be used with the above cover.
 Assembly to include optional bearing plate
 30 thick by 910 dia., with 710 dia. hole.



All dimensions are in mm unless otherwise specified.

INDIANA DEPARTMENT OF TRANSPORTATION
MANHOLE CASTING TYPE 4
RING AND COVER
 JANUARY 1996
 STANDARD DRAWING NO. **720-MHCA-02**



/s/ Anthony L. Uremovich 1-02-96
 DESIGN STANDARDS ENGINEER DATE

/s/ Donald W. Lucas 1-02-96
 CHIEF HIGHWAY ENGINEER DATE

Source Sheet: **MC**

DESIGN STANDARDS ENGINEER