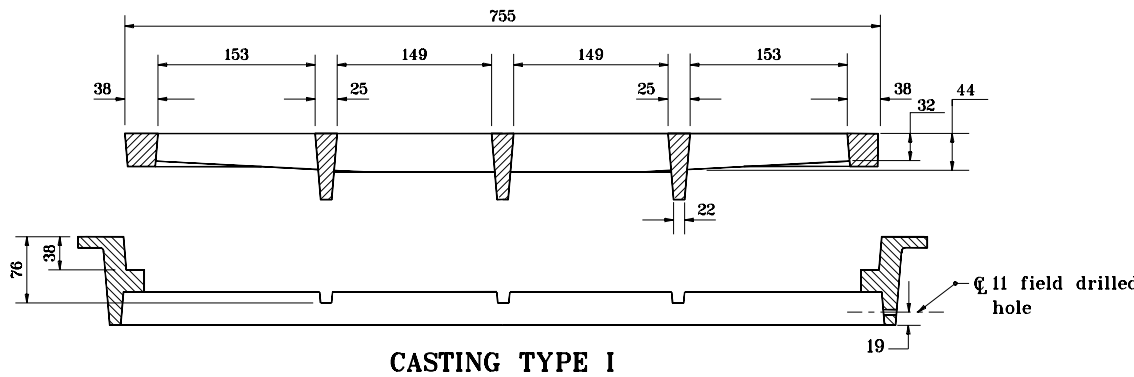
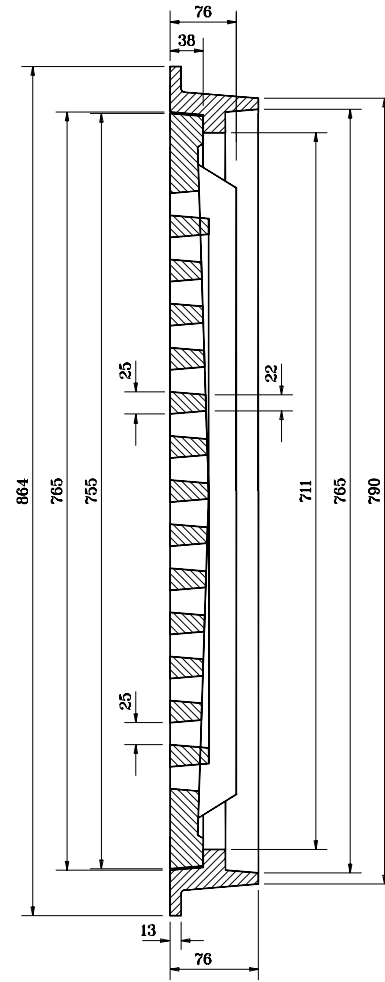
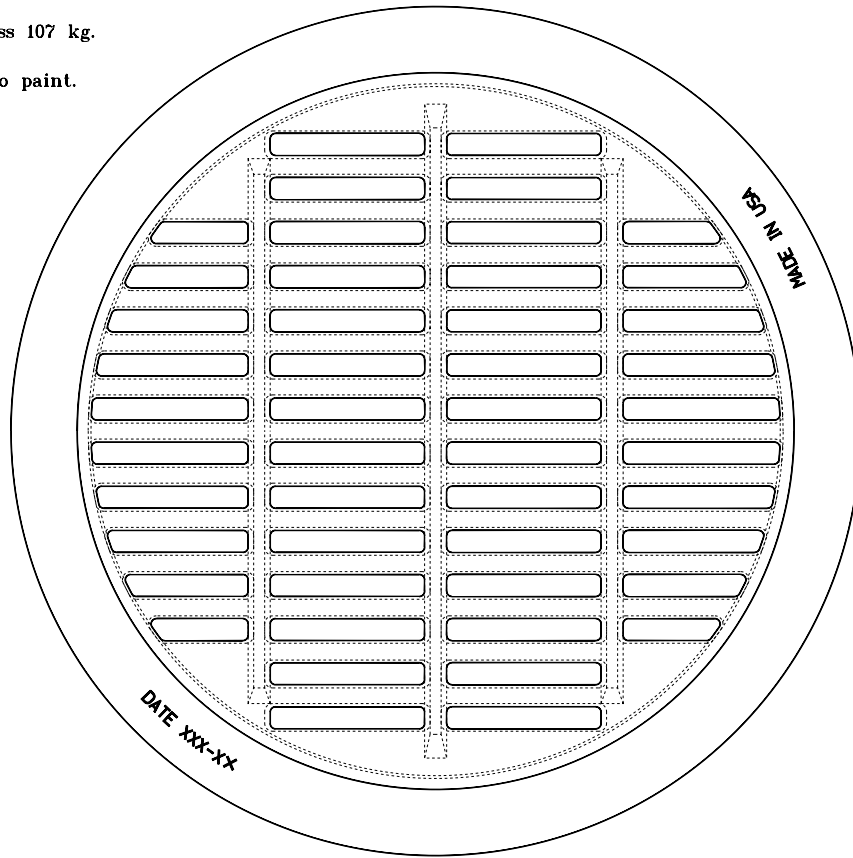


GENERAL NOTES

1. Casting total mass 107 kg.
2. Casting finish: no paint.



CASTING TYPE I

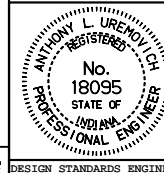
All dimensions are in mm unless otherwise specified.

INDIANA DEPARTMENT OF TRANSPORTATION

**CASTING TYPE I
FRAME AND GRATE**

MAY 1998

STANDARD DRAWING NO. 720-SDCP-02



/s/ Anthony L. Uremovich 5-01-98
DESIGN STANDARDS ENGINEER DATE

/s/ Donald W. Lucas 5-01-98
CHIEF HIGHWAY ENGINEER DATE

Source Sheet: None

DESIGN STANDARDS ENGINEER