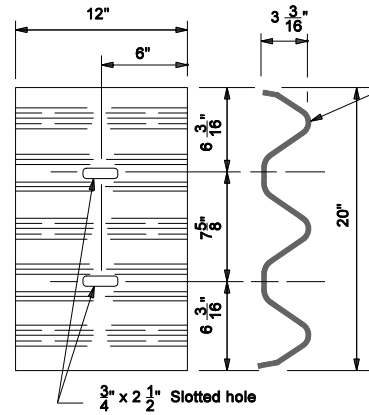


THRIE BEAM GUARDRAIL



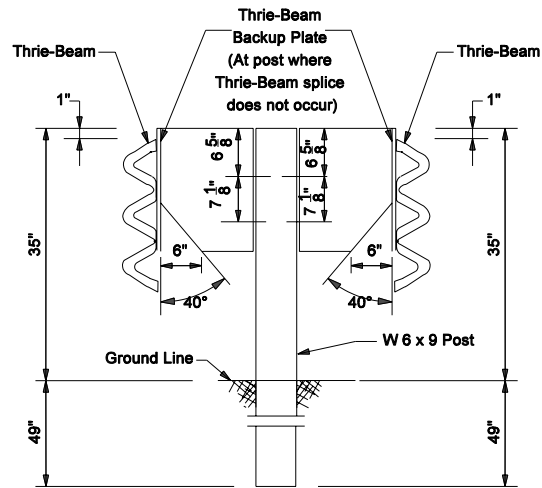
Cross section dimensions shall conform to those shown on Standard Drawing E 601-TGBC-01.

THRIE BEAM GUARDRAIL BACK-UP PLATE

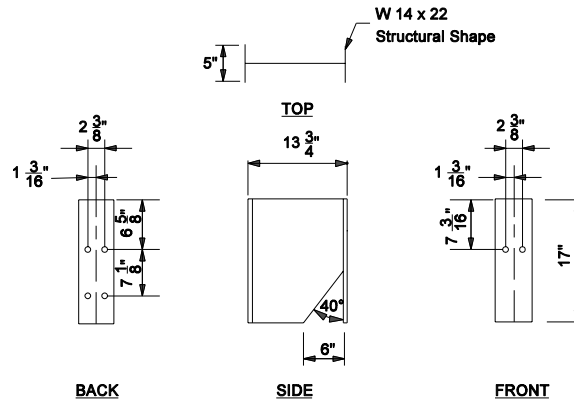
AT LOCATIONS WITHOUT SPLICE

Notes:

1. For Thrie Beam rail section details, see Standard Drawing E 601-TBGC-01.
2. For W 6x9 post hole pattern details, see Standard Drawings E 601-TTGB-03 and E 601-TTGB-04.
3. Typical post spacing for Thrie Beam Guardrail and Double Faced Thrie Beam Guardrail is 6' - 3".
4. Only the blockout material shown may be used.



DOUBLE FACED THRIE BEAM GUARDRAIL



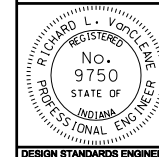
THRIE BEAM GUARDRAIL BLOCKOUT
(STEEL ONLY)

INDIANA DEPARTMENT OF TRANSPORTATION

**THRIE BEAM
GUARDRAIL DETAILS**

MARCH 2005

STANDARD DRAWING NO. E 601-MTGR-01



/s/ Richard L. VanCleave 3-01-05
DESIGN STANDARDS ENGINEER DATE

/s/ Richard K. Smutzer 3-01-05
CHIEF HIGHWAY ENGINEER DATE

DESIGN STANDARDS ENGINEER