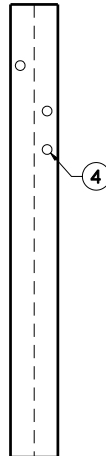
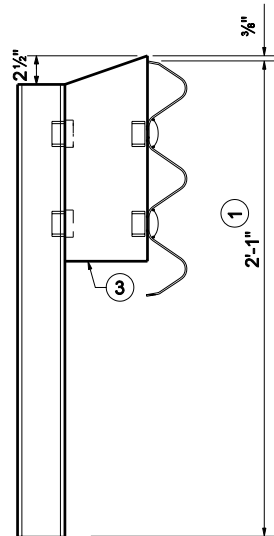


FRONT VIEW



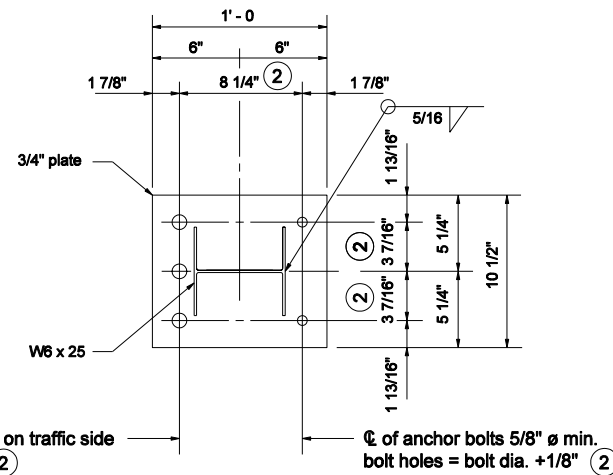
BACK VIEW



SIDE VIEW

W 6 x 25 POST DETAILS FOR CURB MOUNTED POSTS

- NOTE:**
- ① Adjust the post length for thrie beam height above the deck.
 - ② Locations of bolt holes on base plate shall match locations of existing anchor bolts.
 - ③ See Standrad Drawing E 706-TBRF-02 for breakout details.
 - ④ All holes drilled or punched to 3/4" dia.



☉ of anchor bolts 3/4" ø min. on traffic side
bolt holes = bolt dia. +1/4" ②

☉ of anchor bolts 5/8" ø min.
bolt holes = bolt dia. +1/8" ②

BASE PLATE DETAIL

INDIANA DEPARTMENT OF TRANSPORTATION	
RETROFIT THRIE BEAM BRIDGE RAILING TR COMPONENTS	
MARCH 2005	
STANDARD DRAWING NO. E 706-TBRC-03	
	/s/ Richard L. VanCleave 3-01-05 DESIGN STANDARDS ENGINEER DATE
	/s/ Richard K. Smutzer 3-01-05 CHIEF HIGHWAY ENGINEER DATE
DESIGN STANDARDS ENGINEER	