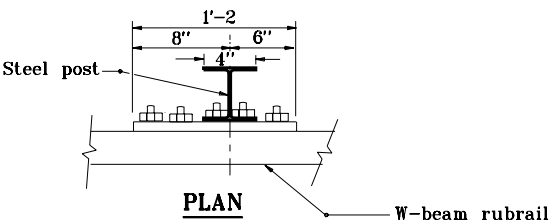
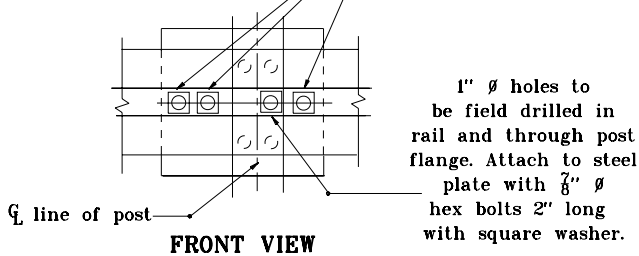


STEEL PLATE DETAIL

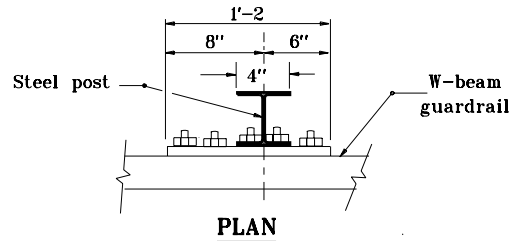
STEEL PLATE AND WASHER DETAILS



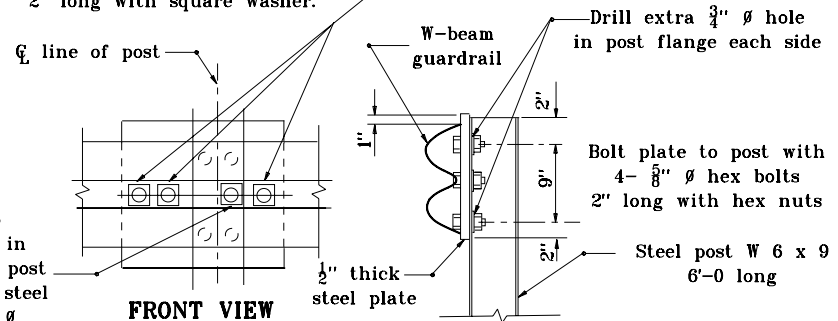
3 - 1" ϕ holes to be field drilled in rail and attached to steel plate with 7/8" ϕ hex bolts 2" long with square washer.



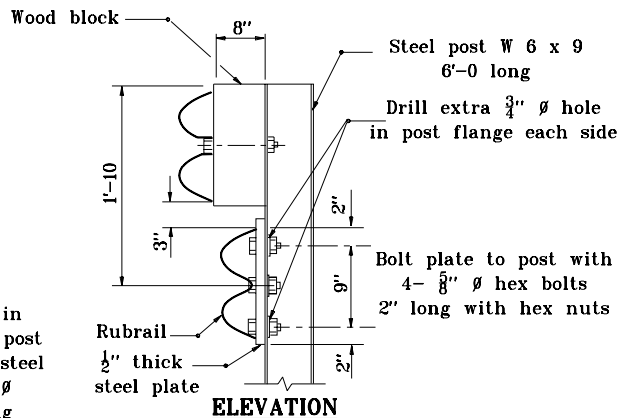
RUBRAIL ANCHOR DETAILS



3 - 1" ϕ holes to be field drilled in rail and attached to steel plate with 7/8" ϕ hex bolts 2" long with square washer.



POST ANCHOR DETAILS



INDIANA DEPARTMENT OF TRANSPORTATION	
GUARDRAIL END TREATMENT	
TPPE II-COMPONENTS	
SEPTEMBER 2000	
STANDARD DRAWING NO. E 601-GRET-11	
	/s/ Anthony L. Uremovich 9-01-00 DESIGN STANDARDS ENGINEER DATE
	/s/ Firooz Zandi 9-01-00 CHIEF HIGHWAY ENGINEER DATE
DESIGN STANDARDS ENGINEER	