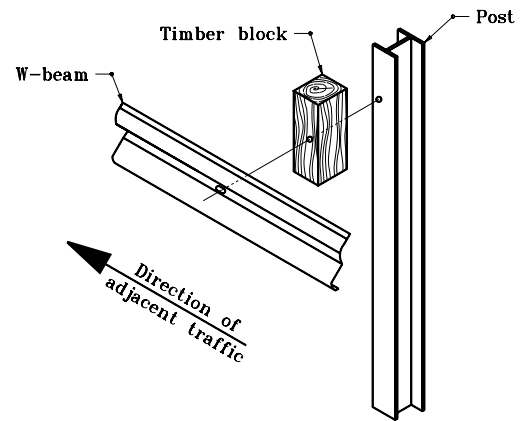


**W-BEAM SPLICE CONNECTION  
DETAIL AT POST**

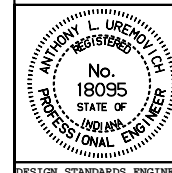


**W-BEAM SPLICE CONNECTION DETAIL  
AT POST FOR NON-SPLICE CONNECTIONS**

INDIANA DEPARTMENT OF TRANSPORTATION

**W-BEAM  
GUARDRAIL ASSEMBLIES**  
SEPTEMBER 1998

STANDARD DRAWING NO. **E 601-WBGA-03**



DETAILS PLACED IN THIS FORMAT 11-15-99

*/s/ Anthony L. Uremovich* 11-15-99  
DESIGN STANDARDS ENGINEER DATE

*/s/ Firooz Zandi* 11-15-99  
CHIEF HIGHWAY ENGINEER DATE

DESIGN STANDARDS ENGINEER

ORIGINALLY APPROVED 9-01-98