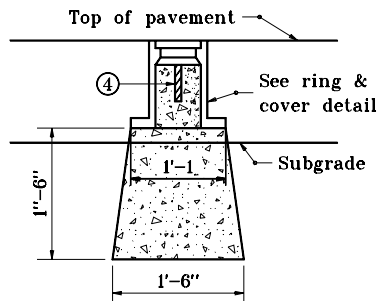
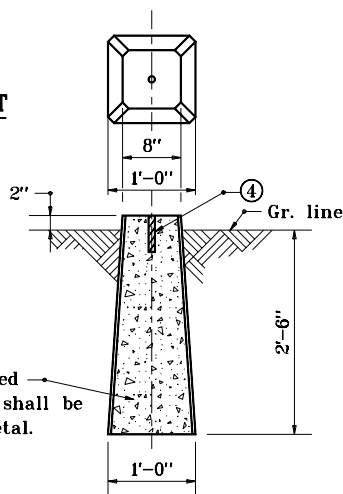


**INSTALLATION FOR VITRIFIED BRICK OR BITUMINOUS SURFACE ON CONCRETE BASE (TYPE A)**

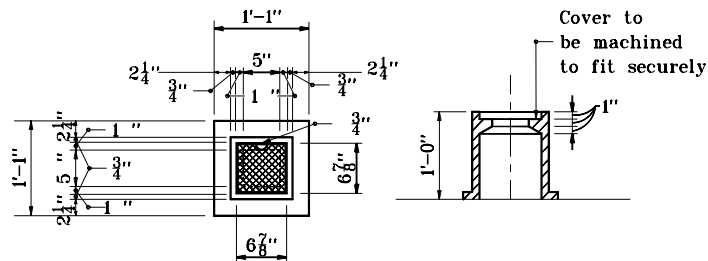


**INSTALLATION FOR FLEXIBLE PAVEMENT (TYPE B)**

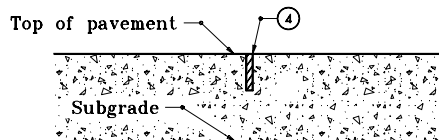


Where monument is required inside of surfaced area it shall be set with the top below metal.

**INSTALLATION OUTSIDE OF PAVEMENT (TYPE C)**



**SURVEY LINE MONUMENT RING & COVER**

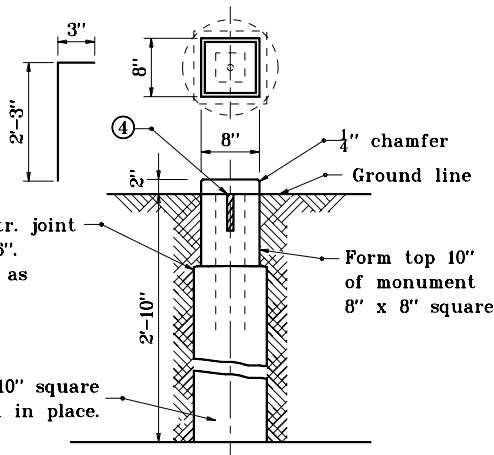


**INSTALLATION FOR CONCRETE PAVEMENT (TYPE D)**

#4 for optional constr. joint

Optional constr. joint 4 - #4 x 2'-6". Bend in field as shown.

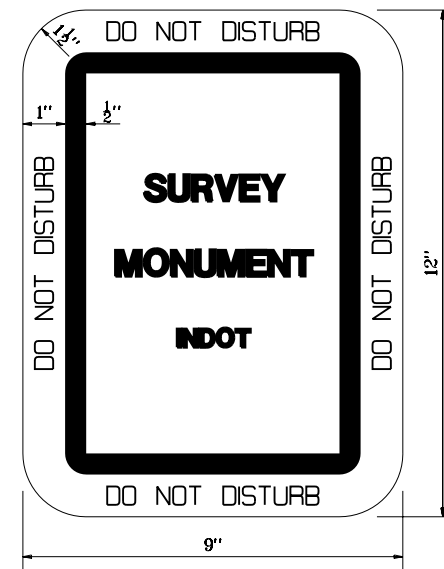
12"Ø or 10" x 10" square hole poured in place.



**OPTIONAL INSTALLATION FOR TYPE C MONUMENT**

**GENERAL NOTES**

1. Sign shall be white background with black copy.
2. One steel type A or 4" x 4" wood post required.
3. Letter height shall be as follows:  
Border: 1/2" series D  
Line 1: 1" series B  
Line 2: 1" series B  
Line 3: 1" series B
4. 1"Ø x 5" steel rod

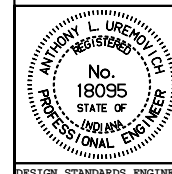


INDIANA DEPARTMENT OF TRANSPORTATION

**SURVEY LINE MONUMENTS**

SEPTEMBER 1997

STANDARD DRAWING NO. E 615-SLMN-01



DETAILS PLACED IN THIS FORMAT 11-15-99

/s/ Anthony L. Uremovich 11-15-99  
DESIGN STANDARDS ENGINEER DATE

/s/ Firooz Zandi 11-15-99  
CHIEF HIGHWAY ENGINEER DATE

DESIGN STANDARDS ENGINEER

ORIGINALLY APPROVED 9-01-97