

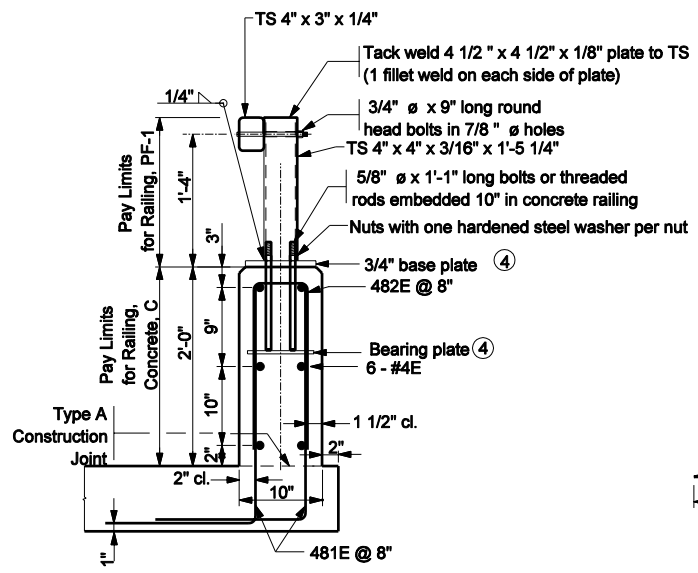
4 - 3/4"  $\phi$  x 1'-0" round head bolts in 7/8"  $\phi$  holes. Holes are to be slotted as required for expansion.

\* NOTE: Field measure distance to holes on concrete transition.

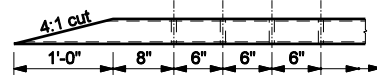
**ELEVATION**

**NOTES :**

1. All chamfered edges shall be 1".
2. Intermediate railing splices shall be placed every 20 ft. with center of connection at span quarter points.
3. See Standard Drawing E 706-BRPP-05 for railing tube details and inner sleeve details.
4. See Standard Drawing E 706-BRPP-06 for base plate detail, bearing plate detail, and reinforcing steel bar bends.
5. See Standard Drawings E 706-TTBP-01, and E 706-TTBP-02 for Concrete Bridge Railing Transition, TPS-2.
6. See Standard Drawing E 703-BRST-01 for standard 180° bar bending details.
7. All reinforcing bars designated "E" shall be epoxy coated.



**TYPICAL SECTION**



**DETAIL A**  
(Plan View of top rail)

INDIANA DEPARTMENT OF TRANSPORTATION	
<b>RAILING, PF-1</b>	
SEPTEMBER 2005	
STANDARD DRAWING NO. E 706-BRPP-01	
	/s/ Richard L. VanCleave 9-01-05 DESIGN STANDARDS ENGINEER DATE
	/s/ Richard K. Smutzer 9-01-05 CHIEF HIGHWAY ENGINEER DATE
DESIGN STANDARDS ENGINEER	