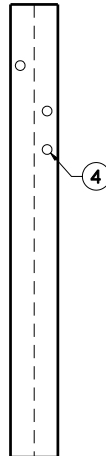
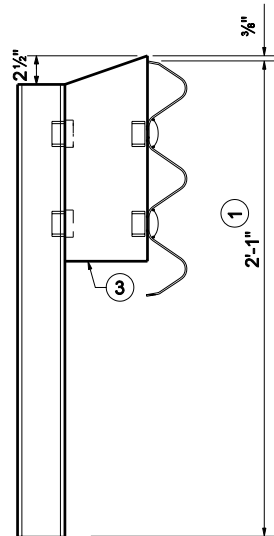


FRONT VIEW



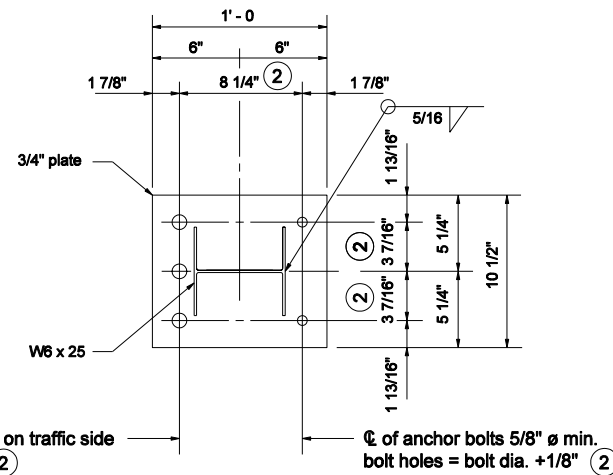
BACK VIEW



SIDE VIEW

W 6 x 25 POST DETAILS FOR CURB MOUNTED POSTS

- NOTE:**
- ① Adjust the post length for thrie beam height above the deck.
 - ② Locations of bolt holes on base plate shall match locations of existing anchor bolts.
 - ③ See Standrad Drawing E 706-TBRF-02 for breakout details.
 - ④ All holes drilled or punched to 3/4" dia.



☉ of anchor bolts 3/4" \emptyset min. on traffic side
bolt holes = bolt dia. +1/4" ②

☉ of anchor bolts 5/8" \emptyset min.
bolt holes = bolt dia. +1/8" ②

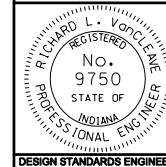
BASE PLATE DETAIL

INDIANA DEPARTMENT OF TRANSPORTATION

**RETROFIT THRIE BEAM BRIDGE
RAILING TR COMPONENTS**

MARCH 2005

STANDARD DRAWING NO. E 706-TBRC-03



/s/ Richard L. VanCleave 3-01-05
DESIGN STANDARDS ENGINEER DATE

/s/ Richard K. Smutzer 3-01-05
CHIEF HIGHWAY ENGINEER DATE

DESIGN STANDARDS ENGINEER