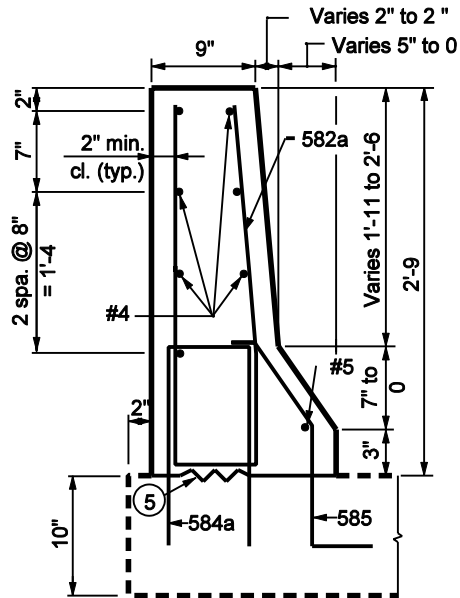
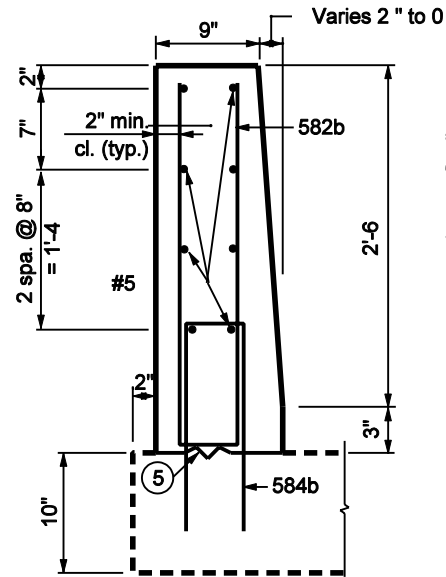


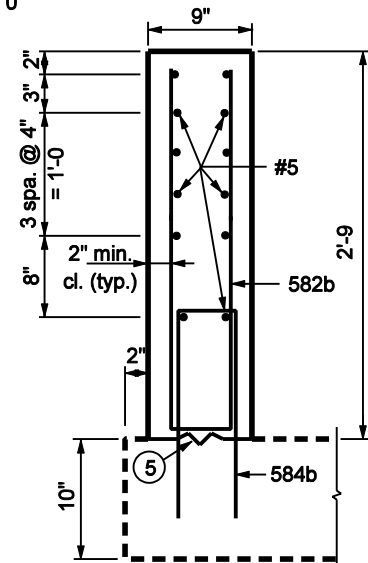
SECTION A-A



SECTION B-B



SECTION C-C



SECTION D-D

NOTES :

1. See Standard Drawing E 706-TASE-05 for General Notes.
2. See Standard Drawing E 706-TTBC-01 for Plan and Elevation and E 706-TTBC-03 for reinforcement and bill of materials.

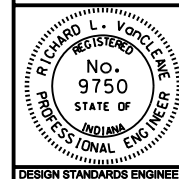
**33" COMMON HEIGHT THRIE BEAM /
CONCRETE BRIDGE RAILING TRANSITION**

INDIANA DEPARTMENT OF TRANSPORTATION

**CONCRETE BRIDGE RAILING
TRANSITION TYPE TBC**

MARCH 2003

STANDARD DRAWING NO. E 706-TTBC-02



/s/ Richard L. VanCleave 3-03-03
DESIGN STANDARDS ENGINEER DATE

/s/ Richard K. Smutzer 3-03-03
CHIEF HIGHWAY ENGINEER DATE

DESIGN STANDARDS ENGINEER