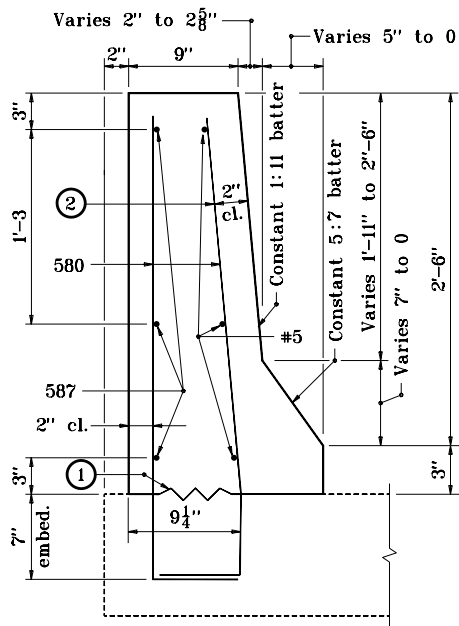
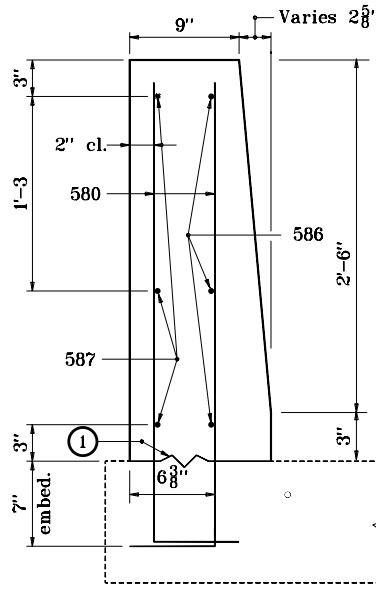


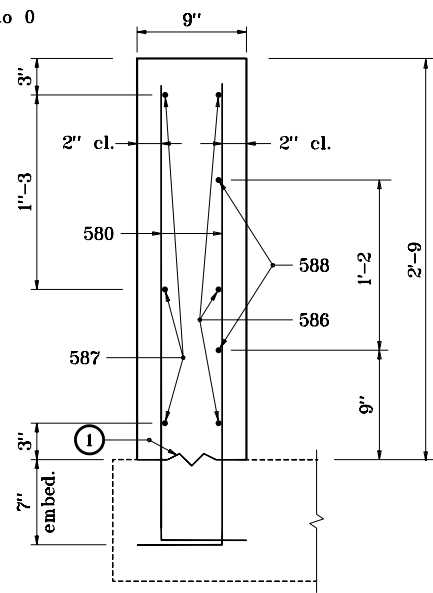
**SECTION A-A**



**SECTION B-B**



**SECTION C-C**



**SECTION D-D**

**NOTES :**

- ① Type A construction joint.
- ② These bars shall be field bent to provide 2' clearance along the batter (constant 1:11), front face bridge rail.
- 3. See Standard Drawing E 706-TWBC-01 for Plan and Elevation.

INDIANA DEPARTMENT OF TRANSPORTATION	
<b>CONCRETE BRIDGE RAILING</b>	
<b>TRANSITION TYPE WBC</b>	
SEPTEMBER 2001	
<b>STANDARD DRAWING NO. E 706-TWBC-02</b>	
	/s/ Anthony L. Uremovich 9-04-01 <small>DESIGN STANDARDS ENGINEER      DATE</small>
	/s/ Firooz Zandi 9-04-01 <small>CHIEF HIGHWAY ENGINEER      DATE</small>
<small>DESIGN STANDARDS ENGINEER</small>	