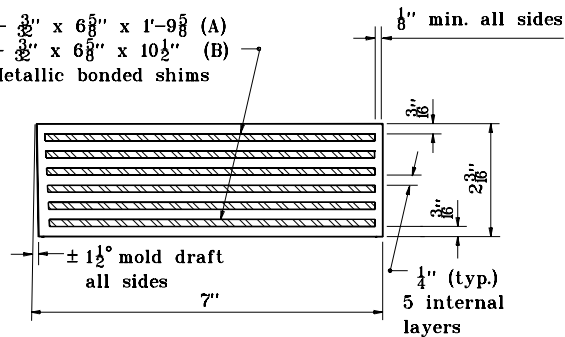


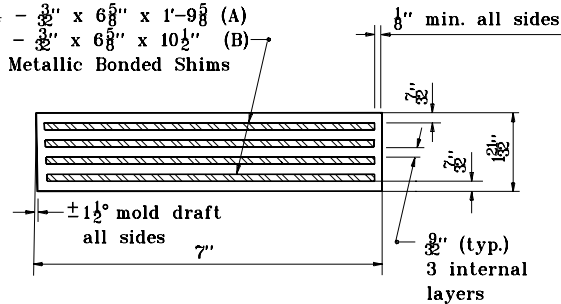
6 - $\frac{3}{8}$ " x $6\frac{5}{8}$ " x 1'-9 $\frac{5}{8}$ " (A)
 6 - $\frac{3}{8}$ " x $6\frac{5}{8}$ " x 10 $\frac{1}{2}$ " (B)
 Metallic bonded shims



SECTION E-E

TYPE 5

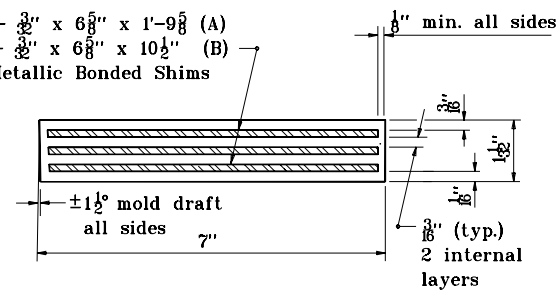
4 - $\frac{3}{8}$ " x $6\frac{5}{8}$ " x 1'-9 $\frac{5}{8}$ " (A)
 4 - $\frac{3}{8}$ " x $6\frac{5}{8}$ " x 10 $\frac{1}{2}$ " (B)
 Metallic Bonded Shims



SECTION E-E

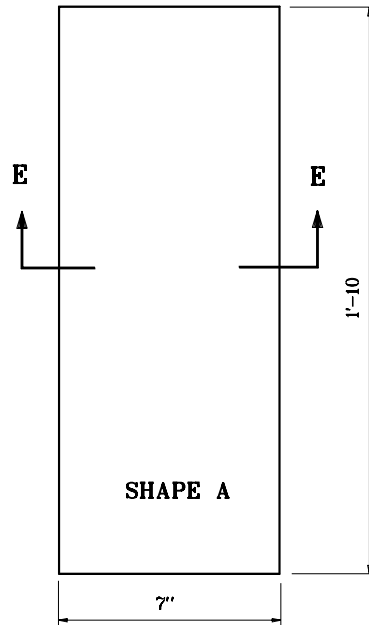
TYPE 6

3 - $\frac{3}{8}$ " x $6\frac{5}{8}$ " x 1'-9 $\frac{5}{8}$ " (A)
 3 - $\frac{3}{8}$ " x $6\frac{5}{8}$ " x 10 $\frac{1}{2}$ " (B)
 Metallic Bonded Shims

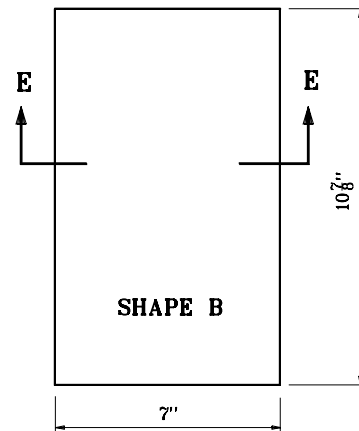


SECTION E-E

TYPE 7



TYPE 5A, 6A, & 7A



TYPE 5B, 6B, & 7B

NOTES :

1. Material: 55 (± 5) durometer elastomer. Pads Type 5, 6, & 7 (shapes A & B) are to be used with prestressed box beams. Select type by suitable design. Use shape A under adjacent box beams and shape B under outside edge of exterior box beam. Pads to be designated as Type 5A, 5B, etc.
2. The proper pad type to be used with spread box beams shall be determined by design.

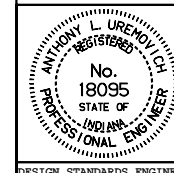
INDIANA DEPARTMENT OF TRANSPORTATION

ELASTOMERIC BEARING PADS

TYPE 5, 6 & 7

JANUARY 1995

STANDARD DRAWING NO. **E 707-BEBP-03**



DETAILS PLACED IN THIS FORMAT 11-15-99

/s/ Anthony L. Uremovich 11-15-99
 DESIGN STANDARDS ENGINEER DATE

/s/ Firooz Zandi 11-15-99
 CHIEF HIGHWAY ENGINEER DATE

DESIGN STANDARDS ENGINEER

ORIGINALLY APPROVED 1-03-95