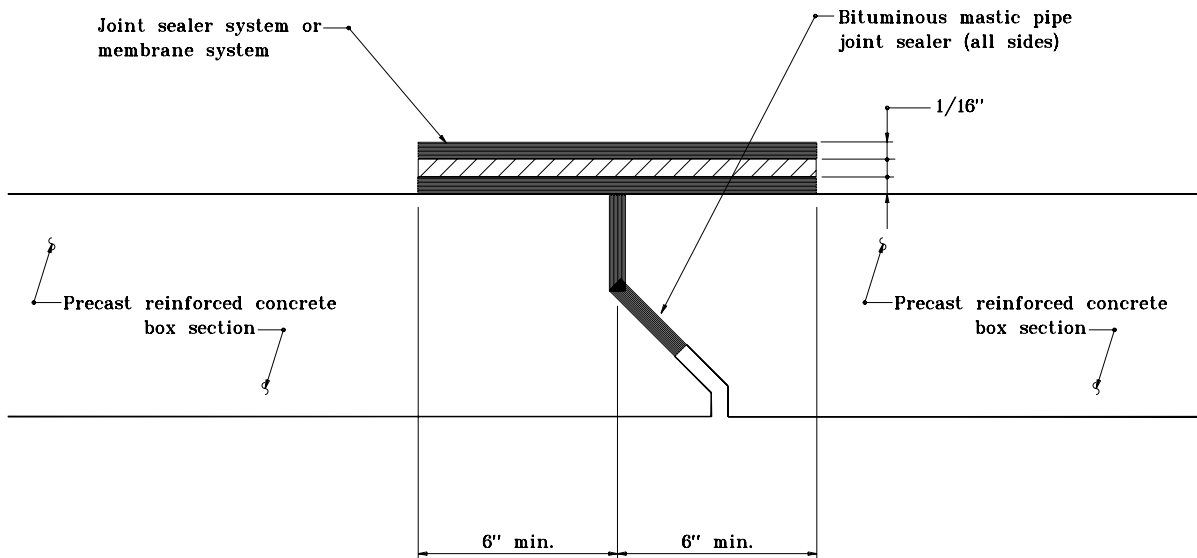


Top and sides of structure

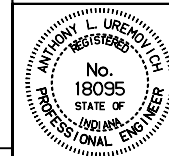


Inside of structure

INDIANA DEPARTMENT OF TRANSPORTATION

**PRECAST REINFORCED CONCRETE
BOX SECTION JOINT**
MAY 1999

STANDARD DRAWING NO. E 714-BCJT-01



/s/ Anthony L. Uremovich 5-03-99
DESIGN STANDARDS ENGINEER DATE

/s/ Donald Lucas 5-03-99
CHIEF HIGHWAY ENGINEER DATE

Source Sheet: NONE

DESIGN STANDARDS ENGINEER