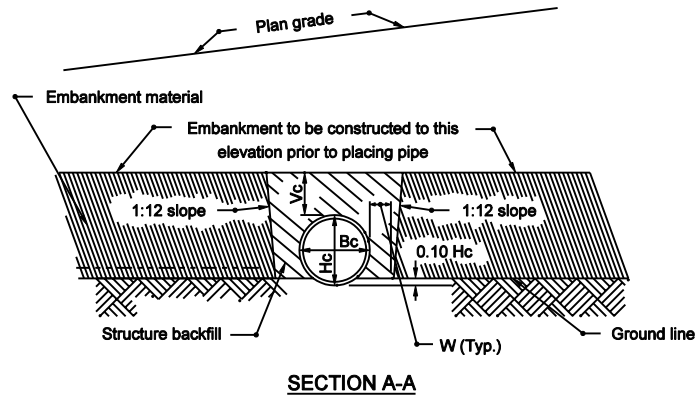
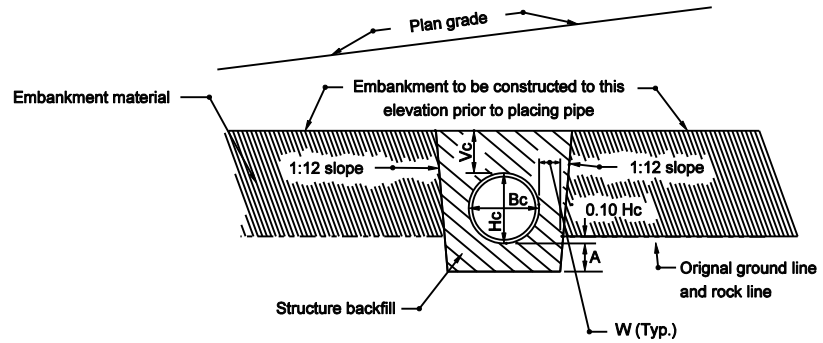


**NOTE**

1. Refer to Standard Drawing E 715-BKFL-09 for general notes.



**SECTION A-A**



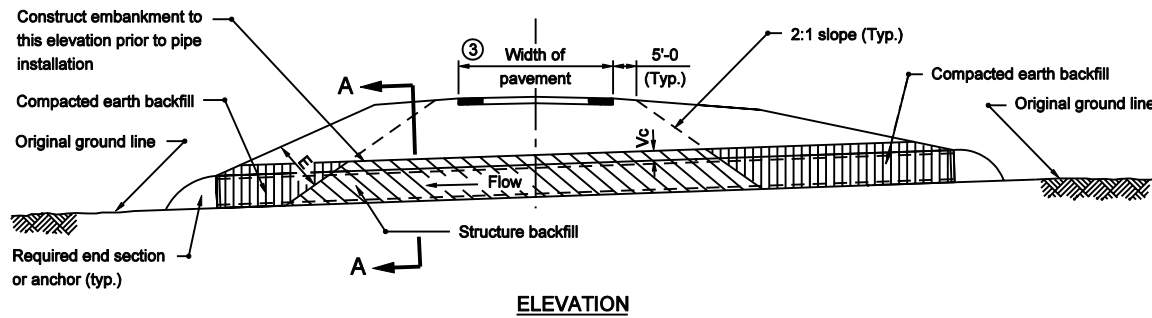
**SECTION A-A  
ROCK FOUNDATION**

**LEGEND**

- Hc = Overall diameter or rise
- Bc = Overall diameter or span
- A = 8" min. for fill height up to 16'
- = 12" min. for fill height of 16' or more
- Vc = 12" for Bc 18" ≤
- = 18" for Bc 18" >
- W = 0.3 Bc or 9", whichever is greater
- ⑦ E = Encasement

**METHOD 1 BACKFILL**

Structures under mainline pavement and public road approaches.



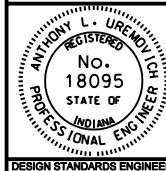
**ELEVATION**

INDIANA DEPARTMENT OF TRANSPORTATION

**PIPE STRUCTURE BACKFILL  
EMBANKMENT INSTALLATIONS**

MARCH 2003

STANDARD DRAWING NO. E 715-BKFL-01



/s/ Anthony L. Uremovich 3-03-03  
DESIGN STANDARDS ENGINEER DATE

/s/ Richard K. Smutzer 3-03-03  
CHIEF HIGHWAY ENGINEER DATE

DESIGN STANDARDS ENGINEER