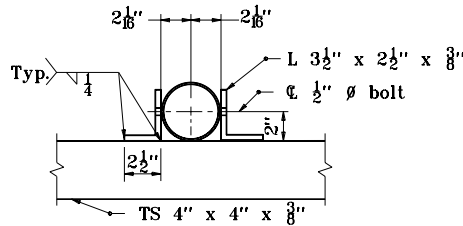
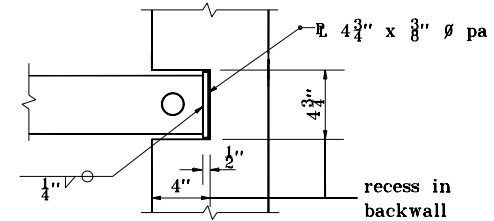


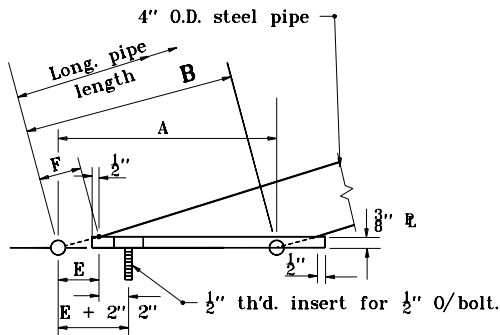
PLAN



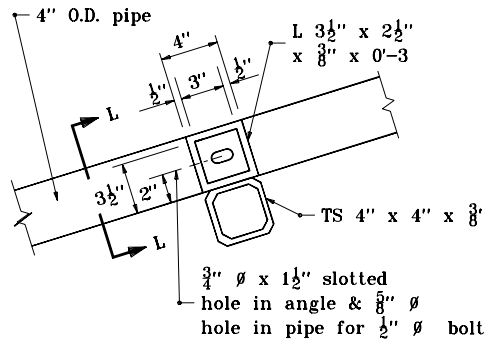
SECTION L-L



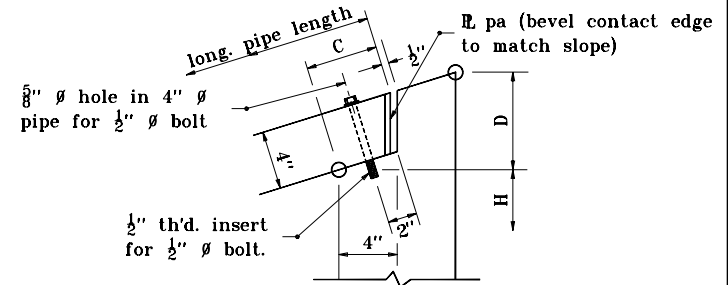
PLAN



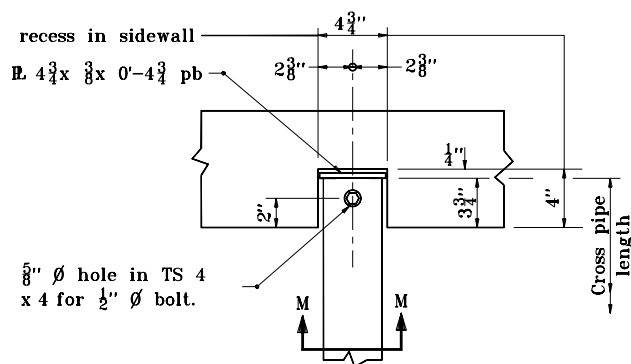
DETAIL A



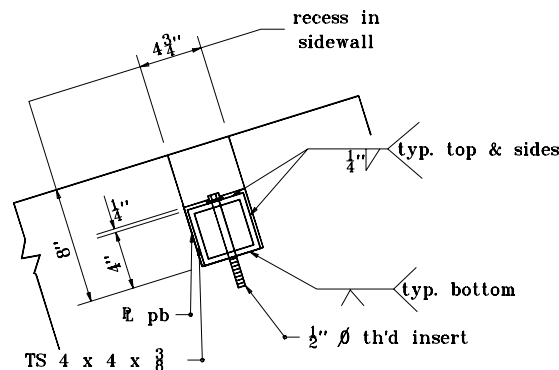
DETAIL B



DETAIL C



DETAIL D



SECTION M-M

INDIANA DEPARTMENT OF TRANSPORTATION	
GRATED BOX END SECTION	
TYPE I	
JANUARY 1999	
STANDARD DRAWING NO. E 715-GBTO-04	
DETAILS PLACED IN THIS FORMAT 11-15-99	
	/s/ Anthony L. Uremovich 11-15-99 DESIGN STANDARDS ENGINEER DATE
	/s/ Firooz Zandi 11-15-99 CHIEF HIGHWAY ENGINEER DATE
DESIGN STANDARDS ENGINEER	ORIGINALLY APPROVED 1-04-99