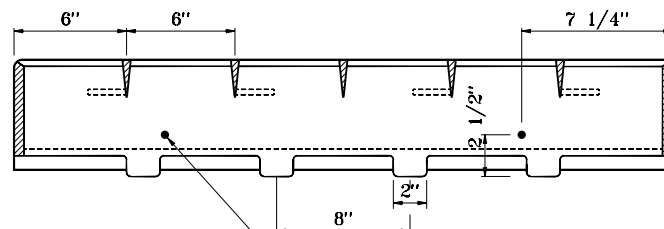
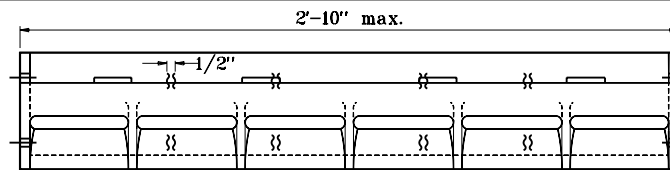
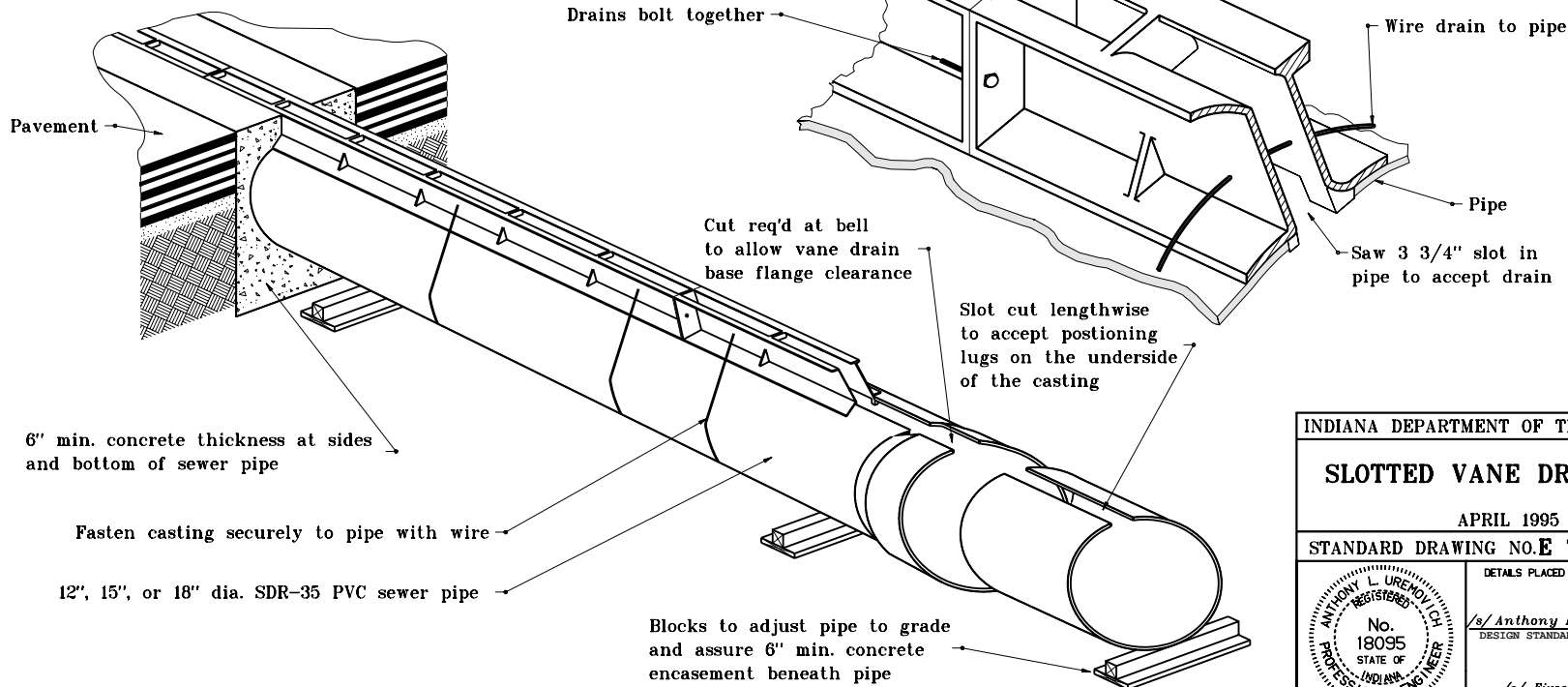


SECTION THROUGH VANE DRAIN



(4) 1/2" dia. cored holes



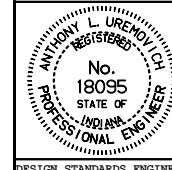
INDIANA DEPARTMENT OF TRANSPORTATION

SLOTTED VANE DRAIN PIPE

APRIL 1995

STANDARD DRAWING NO. **E 715-SLDR-03**

DETAILS PLACED IN THIS FORMAT 11-15-99



/s/ Anthony L. Uremovich 11-15-99
DESIGN STANDARDS ENGINEER DATE

/s/ Firooz Zandi 11-15-99
CHIEF HIGHWAY ENGINEER DATE

DESIGN STANDARDS ENGINEER ORIGINALLY APPROVED 4-03-95