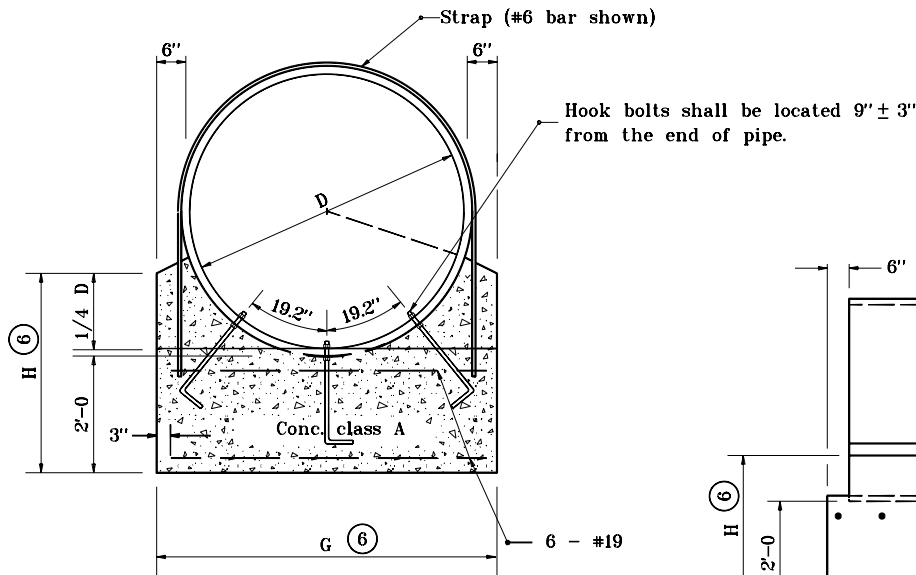
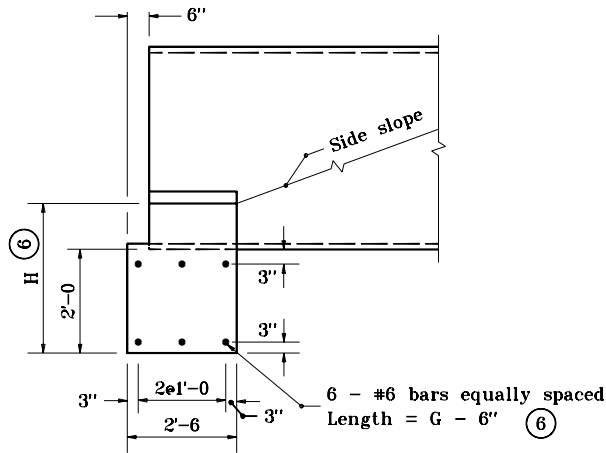


**GENERAL NOTES**

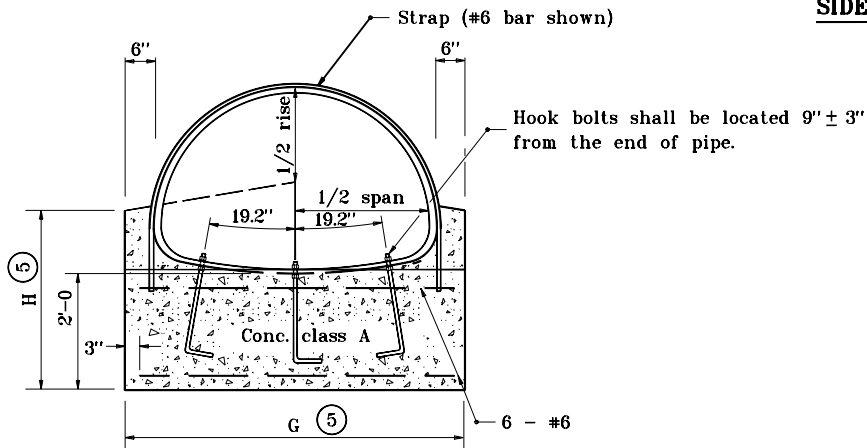
1. Anchor straps shall be used at both upstream and downstream ends of all structural plate pipes and pipe-arches.
2. See Standard Drawing E 715-PASD-01 for anchor strap details.
3. Hook bolts, and anchor straps shall be used at all structural plate pipes and pipe arches with a diameter or span of 84" or greater.
4. See Standard Drawing E 715-PAHB-01 for hook bolt details.
- 5 For dimension, enter chart on Standard Drawing E 717-ANCH-01 or E 717-ANCH-03 with known span and rise.
- 6 For dimension, enter chart on Standard Drawing E 717-ANCH-02 with known dimension D.



**ANCHOR FOR STRUCTURAL PLATE PIPE  
FRONT ELEVATION**



**SIDE ELEVATION**



**ANCHOR FOR STRUCTURAL  
PLATE PIPE-ARCH  
FRONT ELEVATION**

INDIANA DEPARTMENT OF TRANSPORTATION	
<b>SINGLE STRUCTURAL PLATE PIPE CONCRETE ANCHOR</b>	
JANUARY 1998	
STANDARD DRAWING NO. E 717-SPCA-01	
DETAILS PLACED IN THIS FORMAT 7-27-99	
	/s/ Anthony L. Uremovich 7-27-99 DESIGN STANDARDS ENGINEER DATE
	/s/ Firooz Zandi 7-27-99 CHIEF HIGHWAY ENGINEER DATE
DESIGN STANDARDS ENGINEER	ORIGINALLY APPROVED 1-02-98