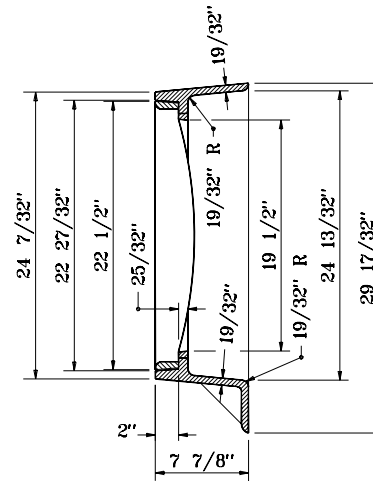
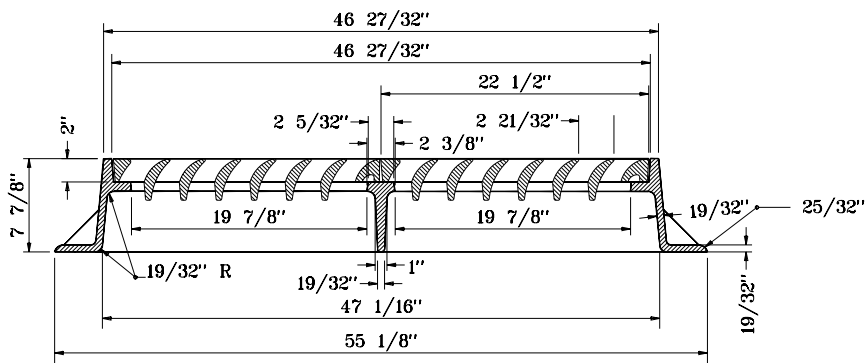


**PLAN**



**SECTION B-B**



**SECTION A-A**

**FRAME  
CASTING TYPE 5**

INDIANA DEPARTMENT OF TRANSPORTATION	
CASTING TYPE 5	
FRAME	
SEPTEMBER 2001	
STANDARD DRAWING NO. E 720-ICCA-01	
	/s/ Anthony L. Uremovich 9-04-01 DESIGN STANDARDS ENGINEER DATE
	/s/ Firooz Zandi 9-04-01 CHIEF HIGHWAY ENGINEER DATE
DESIGN STANDARDS ENGINEER	