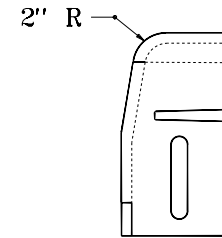
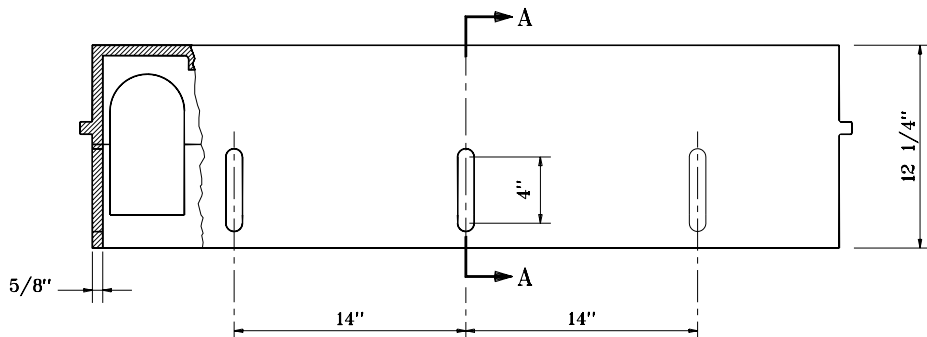


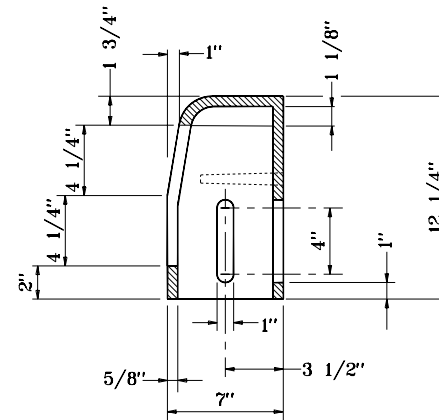
FRONT



SIDE



BACK



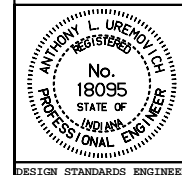
SECTION A-A

INDIANA DEPARTMENT OF TRANSPORTATION

**CASTING TYPE 15
CURB BOX**

SEPTEMBER 1998

STANDARD DRAWING NO. **E 720-ICCA-18**



DETAILS PLACED IN THIS FORMAT 11-15-99

/s/ Anthony L. Uremovich 11-15-99
DESIGN STANDARDS ENGINEER DATE

/s/ Firooz Zandi 11-15-99
CHIEF HIGHWAY ENGINEER DATE

ORIGINALLY APPROVED 9-01-98