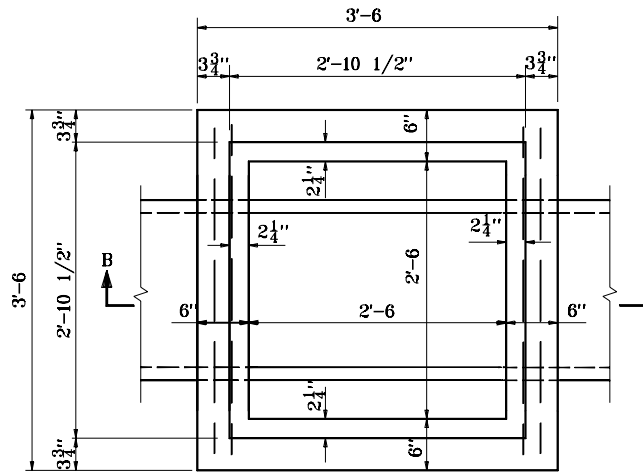
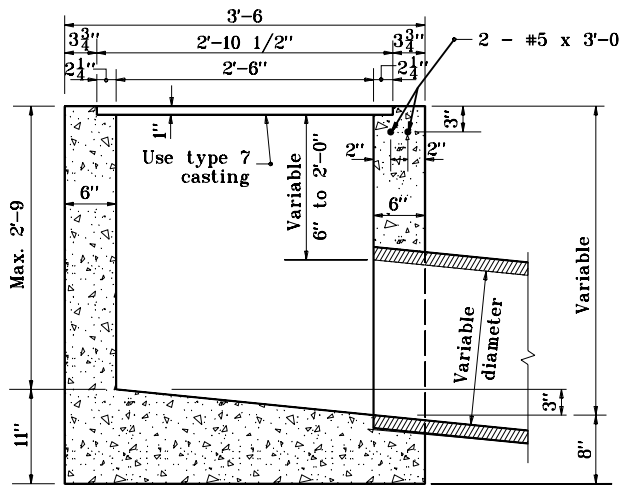


PLAN

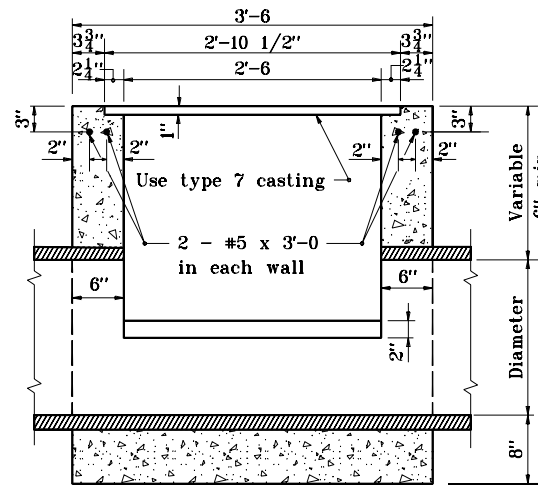


PLAN



SECTION A-A

INLET TYPE E (CONC.)



SECTION B-B

INLET TYPE F (CONC.)

INDIANA DEPARTMENT OF TRANSPORTATION	
INLETS TYPE E AND F	
SEPTEMBER 1997	
STANDARD DRAWING NO. E 720-INST-04	
DETAILS PLACED IN THIS FORMAT 11-15-99	
	/s/ Anthony L. Uremovich 11-15-99 DESIGN STANDARDS ENGINEER DATE
	/s/ Firooz Zandi 11-15-99 CHIEF HIGHWAY ENGINEER DATE
	ORIGINALLY APPROVED 9-02-97