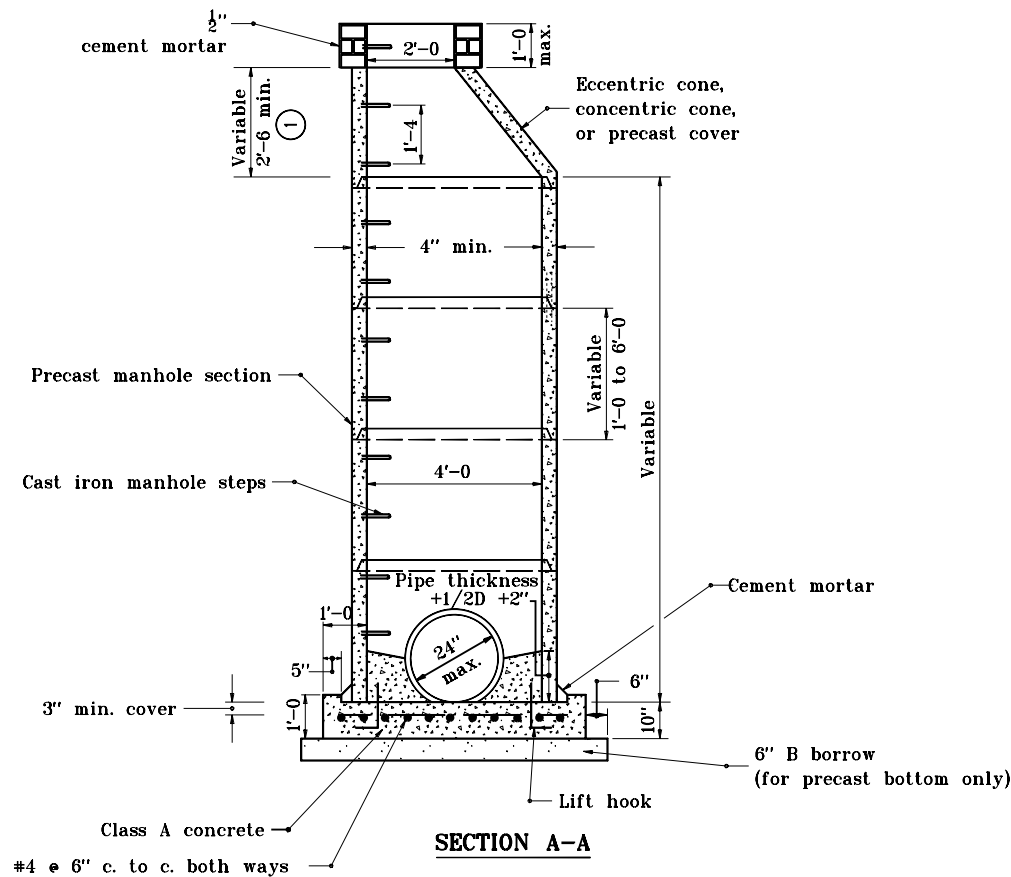
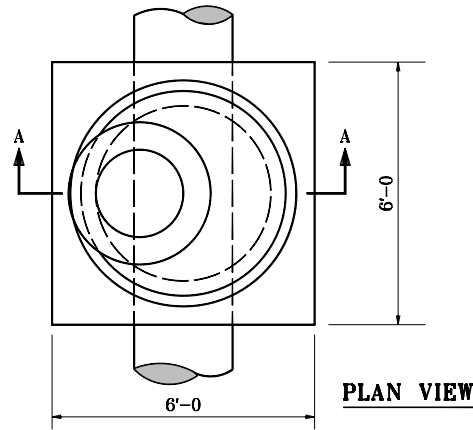


GENERAL NOTES

- ① For eccentric and concentric cone heights see cone heights table on Standard Drawing E 720-MHST-08.



INDIANA DEPARTMENT OF TRANSPORTATION	
MANHOLE TYPE C	
SEPTEMBER 1997	
STANDARD DRAWING NO. E 720-MHST-02	
	DETAILS PLACED IN THIS FORMAT 11-15-99 /s/ Anthony L. Uremovich 11-15-99 DESIGN STANDARDS ENGINEER DATE
DESIGN STANDARDS ENGINEER	/s/ Firooz Zandi 11-15-99 CHIEF HIGHWAY ENGINEER DATE ORIGINALLY APPROVED 9-02-97