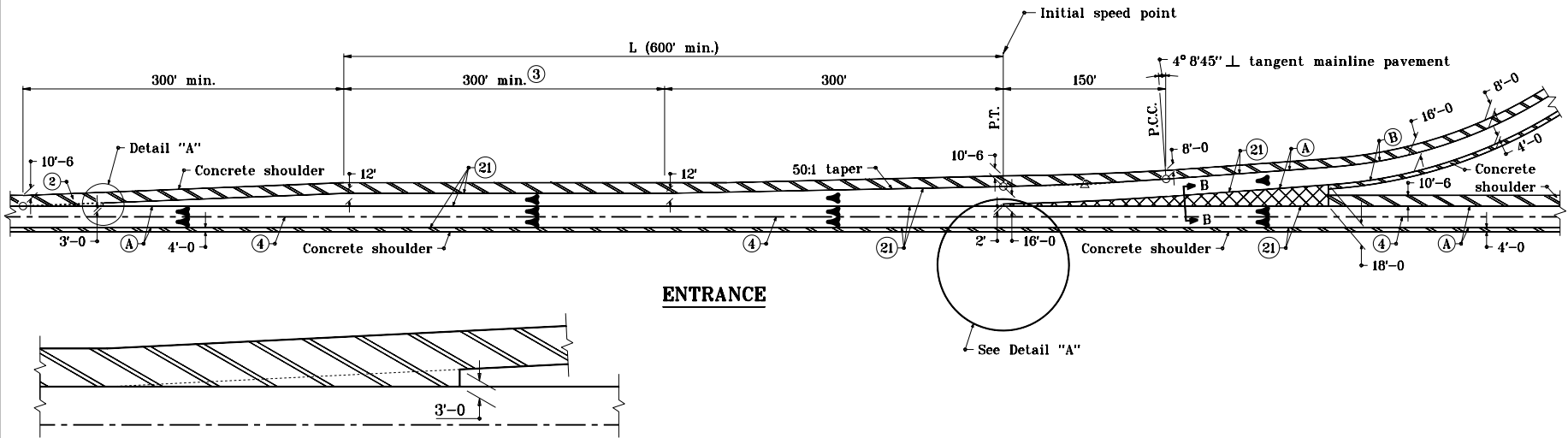


GENERAL NOTES

1. Pavement contraction joints shall be extended through the concrete shoulder in the gore areas.
- 2 Shoulder corrugations shall be omitted in this area.
- 3 Any required additional length of L above the 600' minimum shall be added to the length of this parallel lane segment.
(Example: required L = 700' then this parallel lane segment length = 400')
4. See tables on Standard Drawing E 401-REBS-04.
5. See Standard Drawing E 401-REBS-03 for Section B-B.

CURVE DATA

Δ = 3° 00' 00"
 R = 2864.79'
 T = 75.02'
 L = 150.0'
 E = 0.98'



ENTRANCE

DETAIL "A"

LEGEND

- (A) Pavement type and thickness as specified for the mainline.
- (B) Pavement type and thickness as specified for ramps.
- (4) Longitudinal joint
- (21) Longitudinal construction joint
- Concrete shoulder (Thickness of mainline pavement)
- Concrete shoulder (Thickness as specified on Typical Sections)

INDIANA DEPARTMENT OF TRANSPORTATION	
RAMP ENTRANCE TERMINAL	
CONCRETE SHOULDER	
SEPTEMBER 2000	
STANDARD DRAWING NO. E 501-RECS-01	
	/s/ Anthony L. Uremovich 9-01-00 <small>DESIGN STANDARDS ENGINEER DATE</small>
	/s/ Firooz Zandi 9-01-00 <small>CHIEF HIGHWAY ENGINEER DATE</small>
<small>DESIGN STANDARDS ENGINEER</small>	