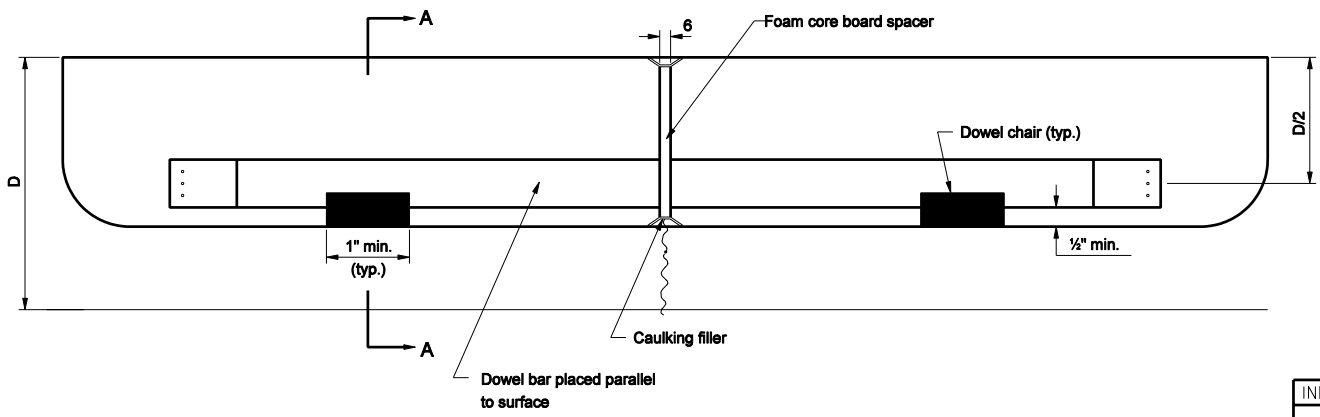
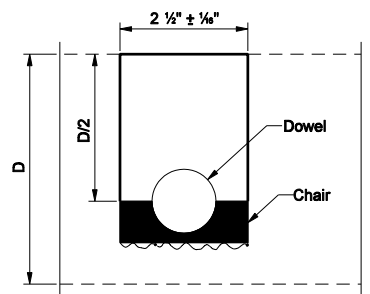


NOTES:
 1. For dowel slot layout requirements, see Standard Drawing E 305-RLTC-02.



DOWEL BAR SIZES	
Pavement Thickness D	Minimum Dowel Bar Diameter
Less than 12"	1 1/4"
Greater than or equal to 12"	1 1/2"

DOWEL SLOT DETAILS

INDIANA DEPARTMENT OF TRANSPORTATION	
RETROFIT LOAD TRANSFER FOR PCCP	
SEPTEMBER 2004	
STANDARD DRAWING NO. E 507-RLTC-01	
	/s/ Richard L. VanCleave 9-01-04 DESIGN STANDARDS ENGINEER DATE
	/s/ Richard K. Smutzer 9-01-04 CHIEF HIGHWAY ENGINEER DATE