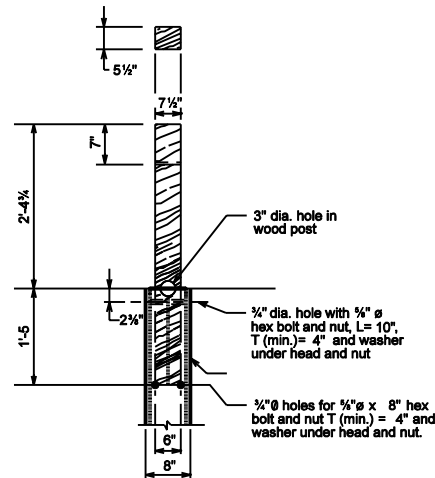


5/8" ø button head guardrail bolt with heavy hex nut recessed both sides  
 L= 2'-1" thread length  
 T(min.)= 4"

**NOTES:**

- ① Use modified guardrail posts.

**NESTED W-BEAM GUARDRAIL  
 ASSY. WITH MODIFIED POSTS  
 OVER STRUCTURE WIDTH  
 (POSTS 5 TO 10)**



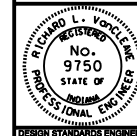
**POST DETAIL**

INDIANA DEPARTMENT OF TRANSPORTATION

**GUARDRAIL ASSEMBLY FOR  
 STRUCTURE WIDTH > 24'-3"**

SEPTEMBER 2001

STANDARD DRAWING NO. E 601-NWGA-03



/s/ Richard L. VanCleave 9-04-01  
 DESIGN STANDARDS ENGINEER DATE

/s/ Firooz Zandi 9-04-01  
 CHIEF HIGHWAY ENGINEER DATE