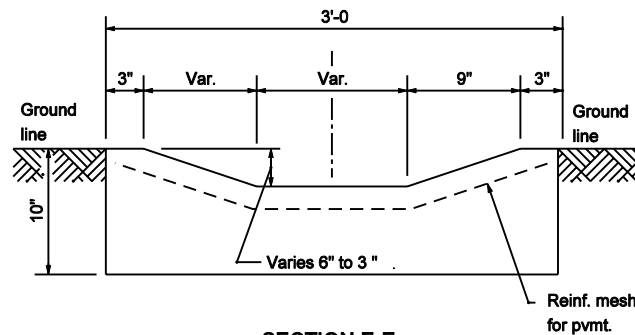
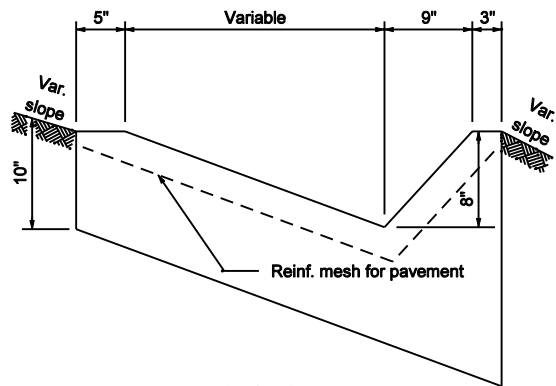
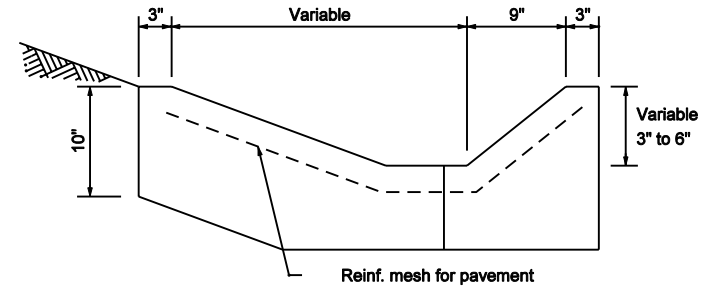
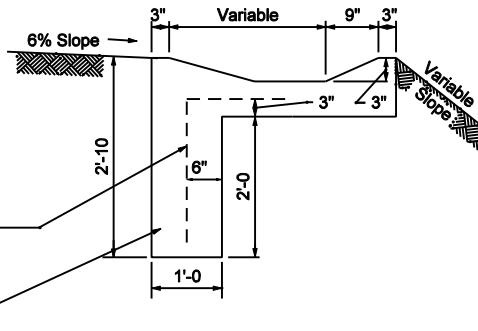
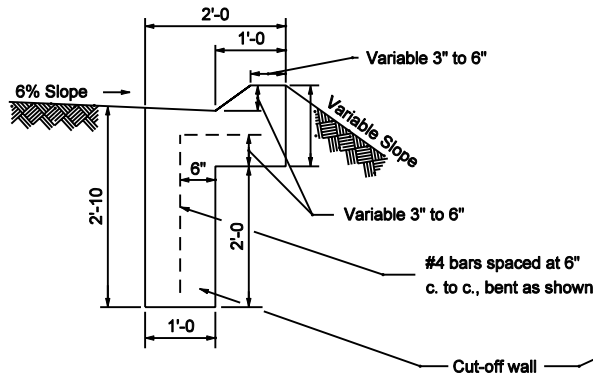


GENERAL NOTES

1. For location of details and sections see Standard Drawing E 605-GTRC-03.



INDIANA DEPARTMENT OF TRANSPORTATION	
REINFORCED CONCRETE GUTTER TURNOUT	
MARCH 2003	
STANDARD DRAWING NO. E 605-GTRC-01	
	/s/ Richard L. VanCleave 3-03-03 DESIGN STANDARDS ENGINEER DATE
	/s/ Richard K. Smutzer 3-03-03 CHIEF HIGHWAY ENGINEER DATE
DESIGN STANDARDS ENGINEER	