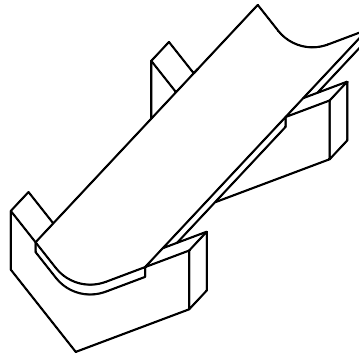
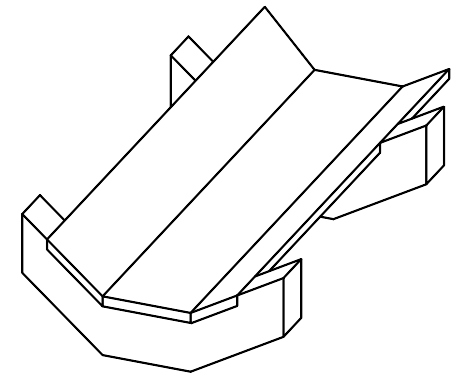


**SECTION A-A**



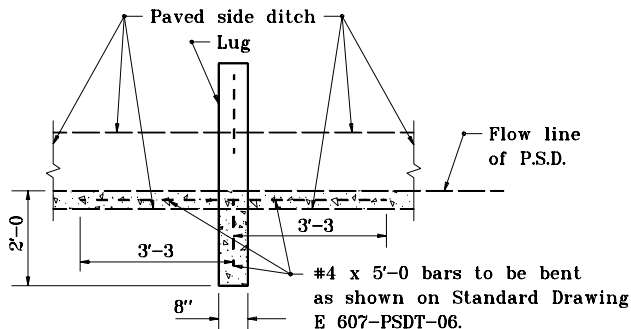
**ISOMETRIC VIEW**

**PAVED SIDE DITCH TYPE A THROUGH D**

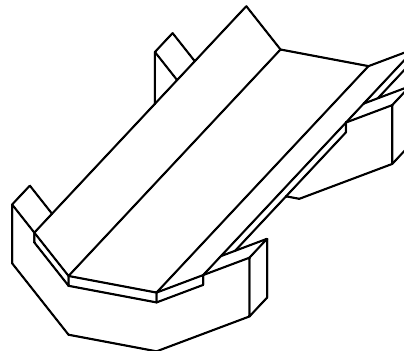


**ISOMETRIC VIEW**

**PAVED SIDE DITCH TYPES J THROUGH M**



**SECTION B-B**



**ISOMETRIC VIEW**

**PAVED SIDE DITCH TYPE E THROUGH H**

INDIANA DEPARTMENT OF TRANSPORTATION	
<b>PAVED SIDE DITCH SECTIONS AND ISOMETRICS</b>	
SEPTEMBER 1997	
<b>STANDARD DRAWING NO. E 607-PSDT-02</b>	
	DETAILS PLACED IN THIS FORMAT 11-15-99
/s/ Anthony L. Uremovich DESIGN STANDARDS ENGINEER	11-15-99 DATE
/s/ Firooz Zandi CHIEF HIGHWAY ENGINEER	11-15-99 DATE
DESIGN STANDARDS ENGINEER	ORIGINALLY APPROVED 9-01-97