

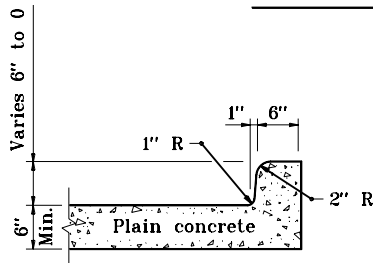
**HALF PLAN
STANDARD COMBINED CURB & GUTTER**

**HALF PLAN
INTEGRAL CONCRETE CURB**

NOTES :

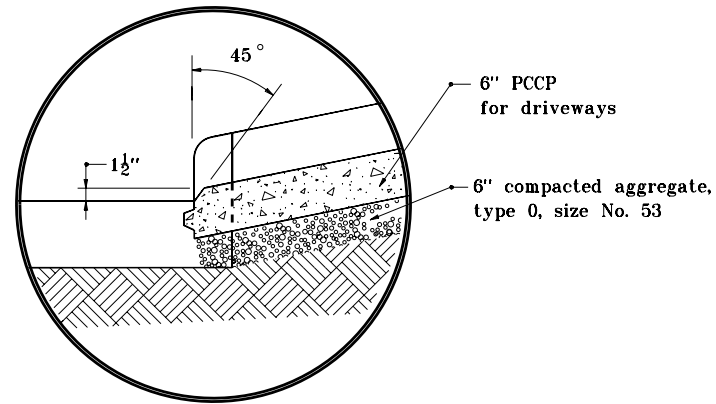
1. See Standard Drawing E 610-DRIV-15 for plan and profiles of Class VII drive.
2. See Standard Drawing E 610-DRIV-14 for General Notes and Legend.
3. DETAIL A - shows keyway construction joint in detail. For location see Drawing E 610-DRIV-15.

JOINT PLACEMENT DETAIL

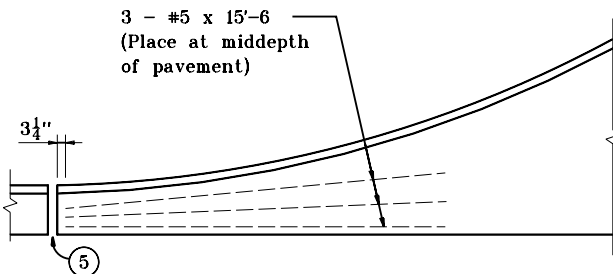


MONOLITHIC CURB

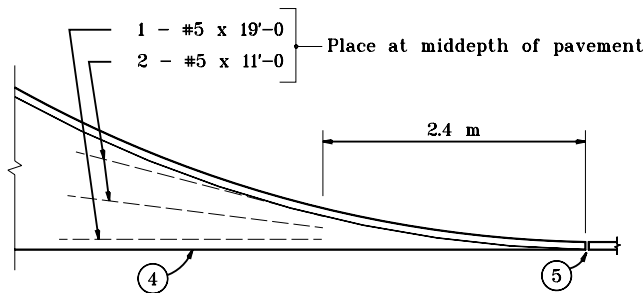
6



DETAIL A



COMBINED CURB & GUTTER



INTEGRAL CONCRETE CURB

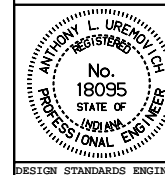
TYPICAL CORNER REINFORCING

INDIANA DEPARTMENT OF TRANSPORTATION

**CLASS VII DRIVE
JOINT PLACEMENT AND CORNERS**

JANUARY 2000

STANDARD DRAWING NO. **E 610-DRIV-16**



/s/ Anthony L. Uremovich 1-03-00
DESIGN STANDARDS ENGINEER DATE

/s/ Firooz Zandi 1-03-00
CHIEF HIGHWAY ENGINEER DATE

DESIGN STANDARDS ENGINEER