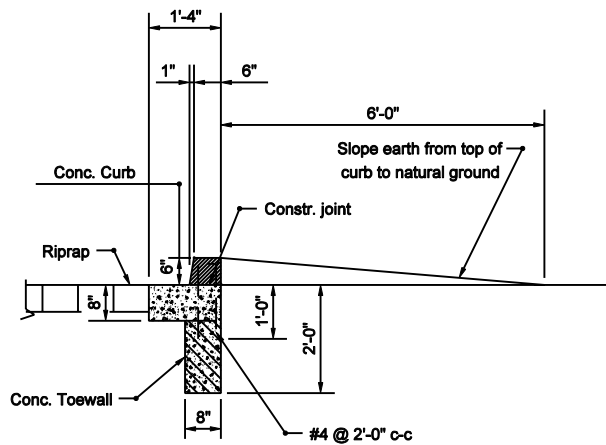
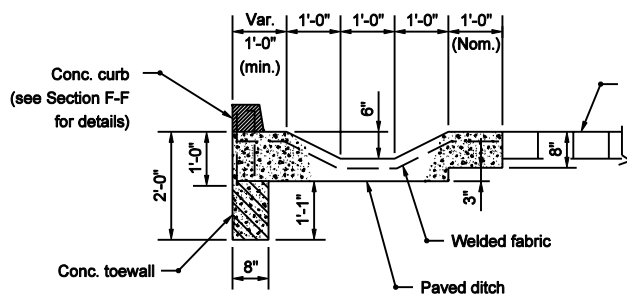


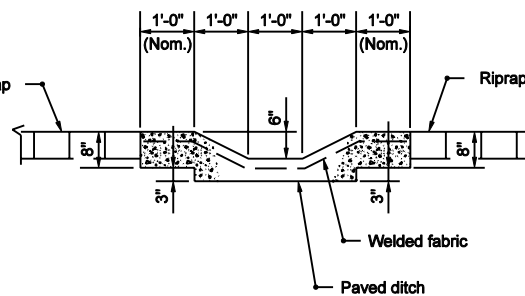
SECTION D-D



SECTION F-F



SECTION E-E
Where riprap terminates
2'-0" outside of coping line



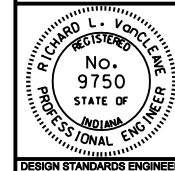
SECTION E-E
Where riprap terminates more
than 2'-0" outside of coping line

INDIANA DEPARTMENT OF TRANSPORTATION

RIPRAP SLOPEWALL DETAILS

SEPTEMBER 2003

STANDARD DRAWING NO. E 616-SWRR-01



/s/ Richard L. VanCleave 9-02-03
DESIGN STANDARDS ENGINEER DATE

/s/ Richard K. Smutzer 9-02-03
CHIEF HIGHWAY ENGINEER DATE

DESIGN STANDARDS ENGINEER