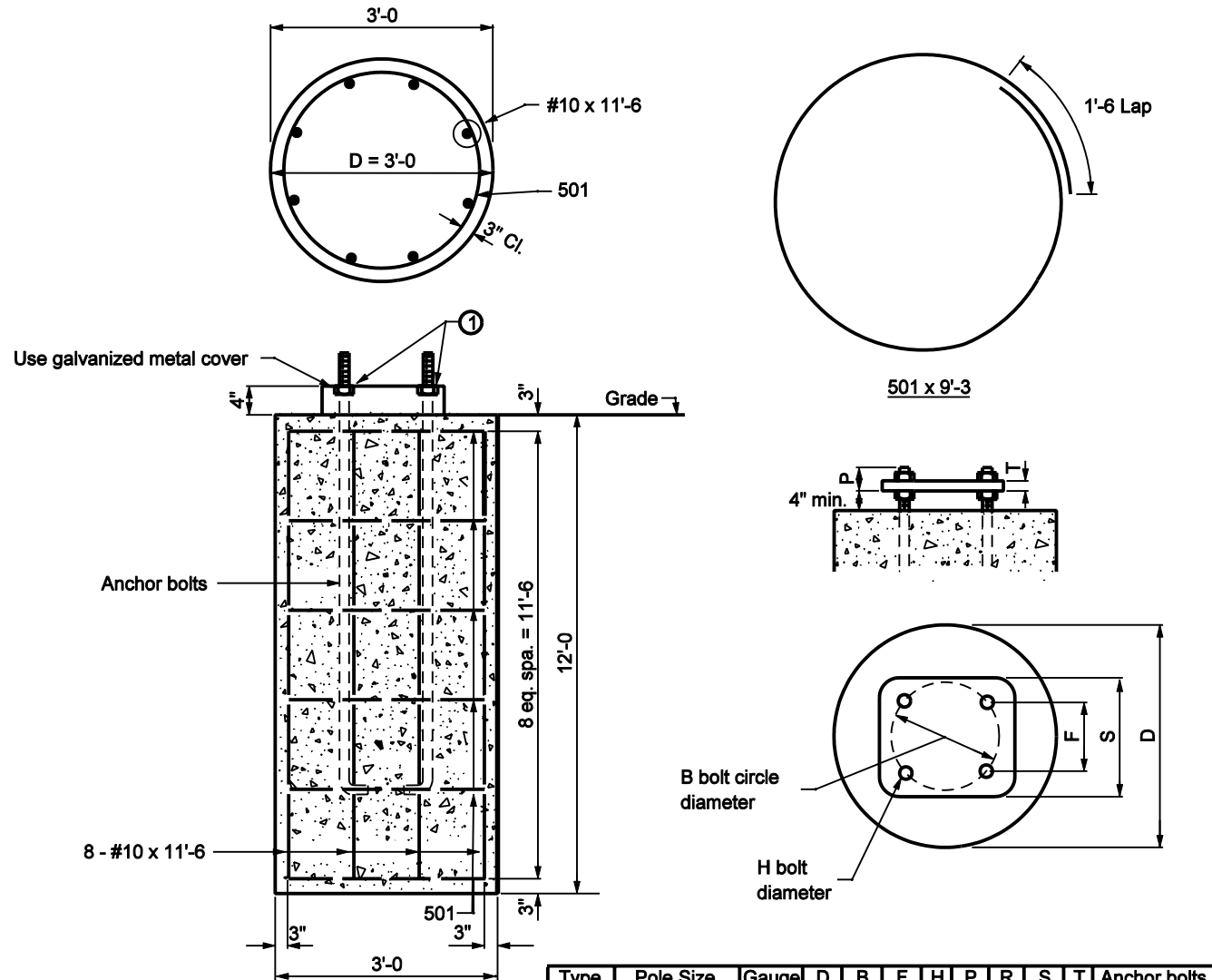


**GENERAL NOTES**

- ① Square nut under base plate for plumbing or raking pole.



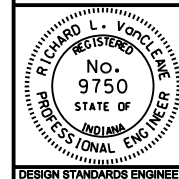
Type	Pole Size	Gauge	D	B	F	H	P	R	S	T	Anchor bolts
IV	12" x 24 ft	0	36"	16"	11"	2"	3"	3"	17"	2"	1" x 7'-6
	14" x 26 ft	0	36"	20"	14"	2"	4"	4"	20"	2"	2" x 8'-0
	15" x 30 ft	0	36"	22"	15"	2"	4"	4"	23"	2"	2" x 8'-0

INDIANA DEPARTMENT OF TRANSPORTATION

**CABLE SPAN SIGN  
FOUNDATION DETAILS**

MARCH 2003

STANDARD DRAWING NO. E 802-SNCS-02



/s/ Richard L. VanCleave 3-03-03  
DESIGN STANDARDS ENGINEER DATE

/s/ Richard K. Smutzer 3-03-03  
CHIEF HIGHWAY ENGINEER DATE

DESIGN STANDARDS ENGINEER