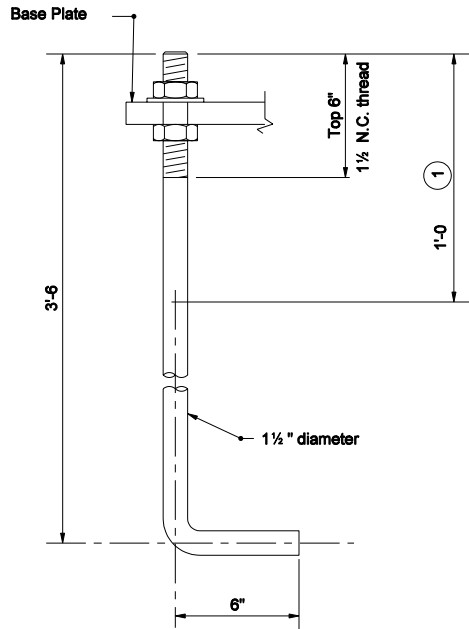


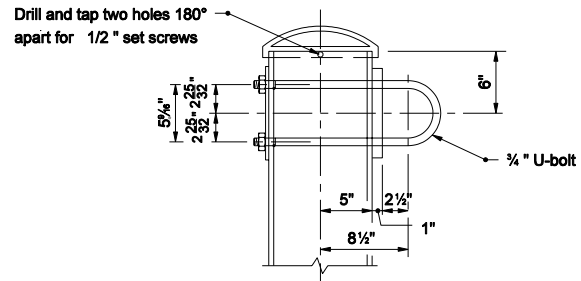
3/4 IN. STAINLESS STEEL U-BOLT DETAIL



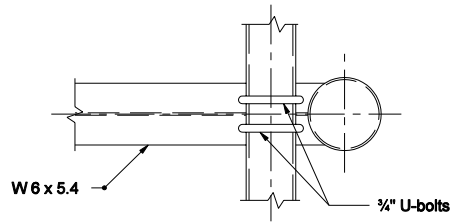
ANCHOR BOLT DETAIL

NOTES:

- ① After threading, coat or mechanically galvanize as required.



UPPER CHORD CONNECTION DETAIL



LOWER CHORD CONNECTION DETAIL

INDIANA DEPARTMENT OF TRANSPORTATION	
ALUMINUM STRUCTURE BOLT DETAILS	
MARCH 2004	
STANDARD DRAWING NO. E 802-SNOH-06	
	/s/ Richard L. VanCleave 3-01-04 DESIGN STANDARDS ENGINEER DATE
	/s/ Richard K. Smutzer 3-01-04 CHIEF HIGHWAY ENGINEER DATE
DESIGN STANDARDS ENGINEER	