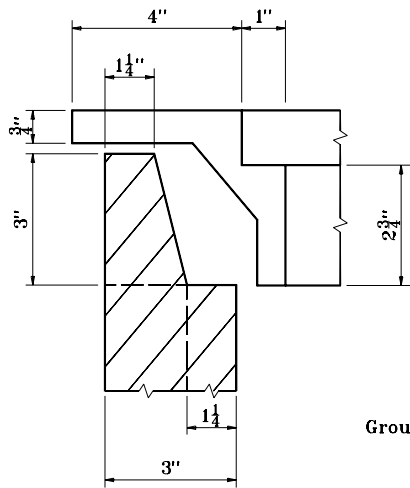
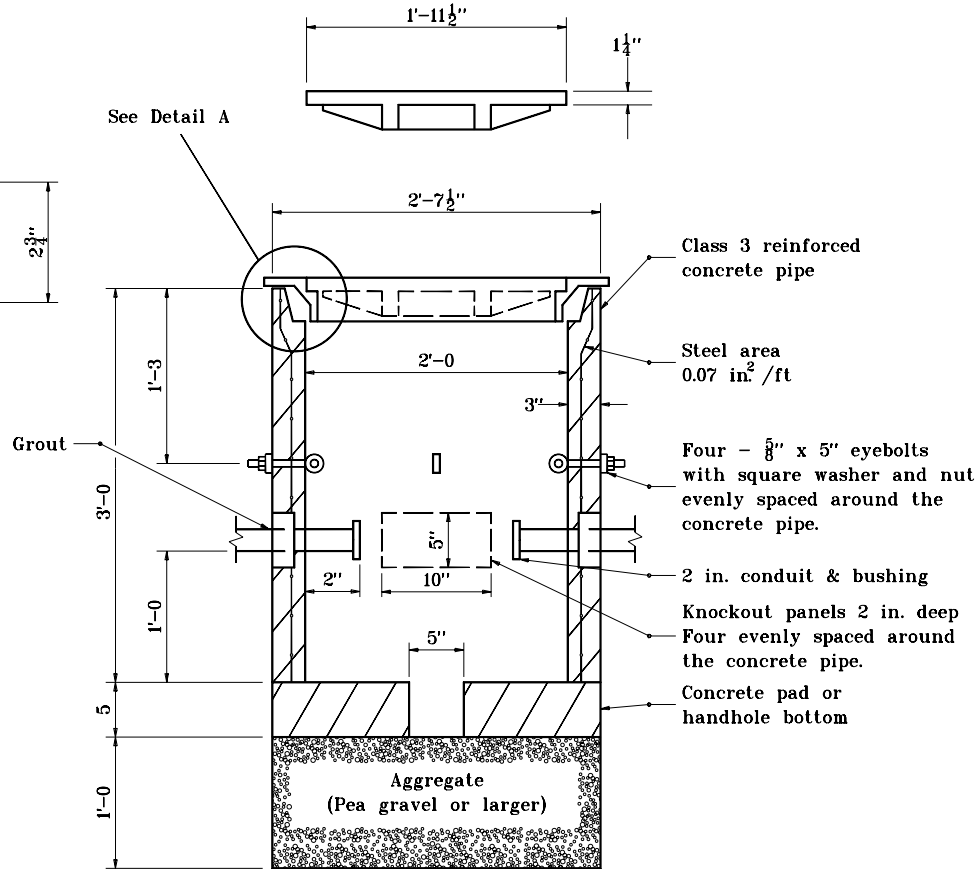


GENERAL NOTES

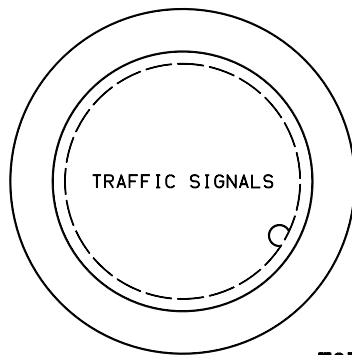
1. Approximate weight for cast iron ring and cover shall be 320 lb.



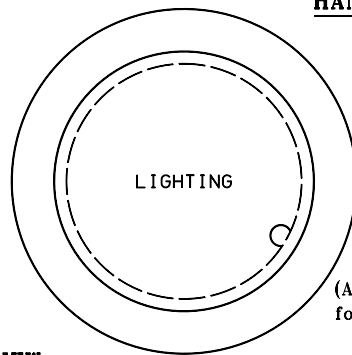
DETAIL A



HANDHOLE



TOP VIEW



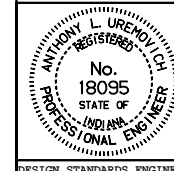
(Alternate label for lighting)

INDIANA DEPARTMENT OF TRANSPORTATION

SIGNAL HANDHOLE

JUNE 1996

STANDARD DRAWING NO. **E 805-SGCF-04**



DETAILS PLACED IN THIS FORMAT 11-15-99

/s/ Anthony L. Uremovich 11-15-99
DESIGN STANDARDS ENGINEER DATE

/s/ Firooz Zandi 11-15-99
CHIEF HIGHWAY ENGINEER DATE

DESIGN STANDARDS ENGINEER

ORIGINALLY APPROVED 6-03-96