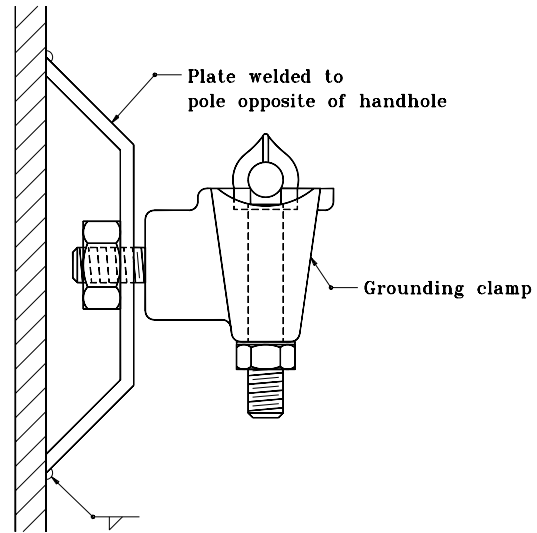
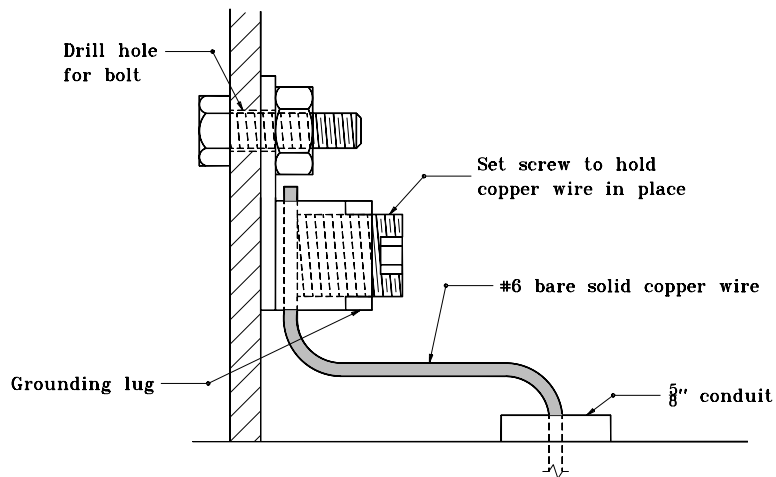


ALUMINUM POLES

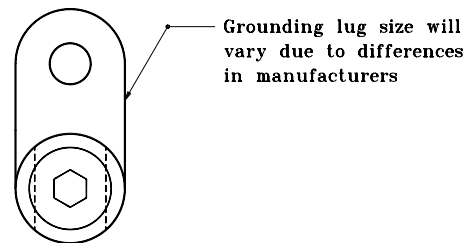


STEEL POLES

GROUNDING POST DETAIL



**GROUNDING LUG DETAIL
(FIELD CONNECTION)**



INDIANA DEPARTMENT OF TRANSPORTATION	
GROUNDING DETAILS	
MARCH 1995	
STANDARD DRAWING NO. E 805-SGGR-03	
	DETAILS PLACED IN THIS FORMAT 11-15-99 /s/ Anthony L. Uremovich 11-15-99 DESIGN STANDARDS ENGINEER DATE
DESIGN STANDARDS ENGINEER	/s/ Firooz Zandi 11-15-99 CHIEF HIGHWAY ENGINEER DATE ORIGINALLY APPROVED 3-01-95