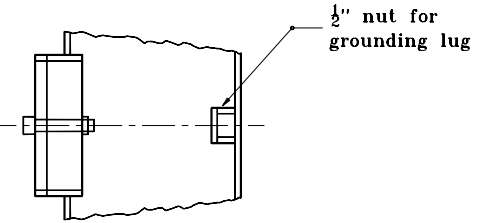
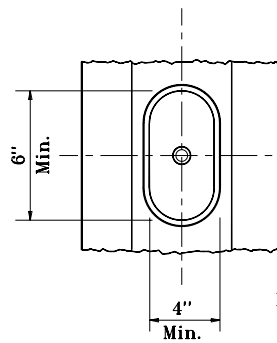


NOTE: Slot inside face of arm for galvanized drainage (steel structures only)

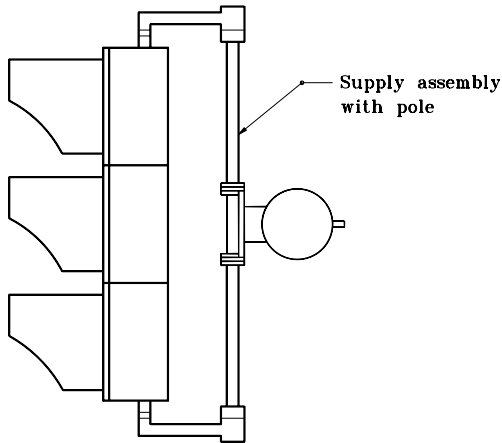
(Connection clamp)

DETAIL A



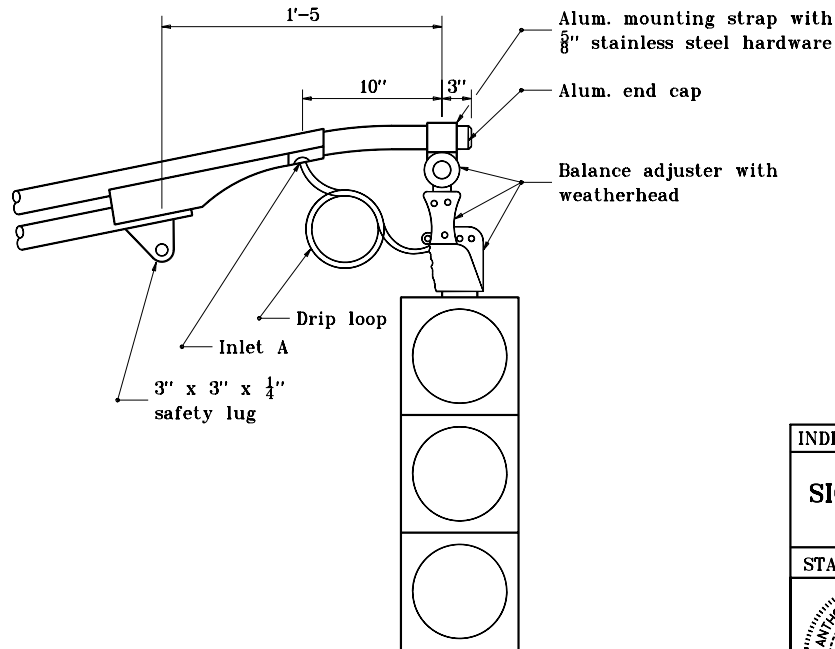
NOTE: For combination signal luminaire pole, handhole shall be 8" min. x 6" min. Inside dimensions
(Handhole and grounding lug)

DETAIL B



(Signal Head Mounting Assembly - Typ.)

DETAIL C



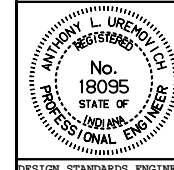
DETAIL D

INDIANA DEPARTMENT OF TRANSPORTATION

SIGNAL CANTILEVER DETAILS

MAY 1998

STANDARD DRAWING NO. **E 805-SGMA-04**



DETAILS PLACED IN THIS FORMAT 11-15-99

/s/ Anthony L. Uremovich 11-15-99
DESIGN STANDARDS ENGINEER DATE

/s/ Firooz Zandi 11-15-99
CHIEF HIGHWAY ENGINEER DATE

DESIGN STANDARDS ENGINEER

ORIGINALLY APPROVED 5-01-98