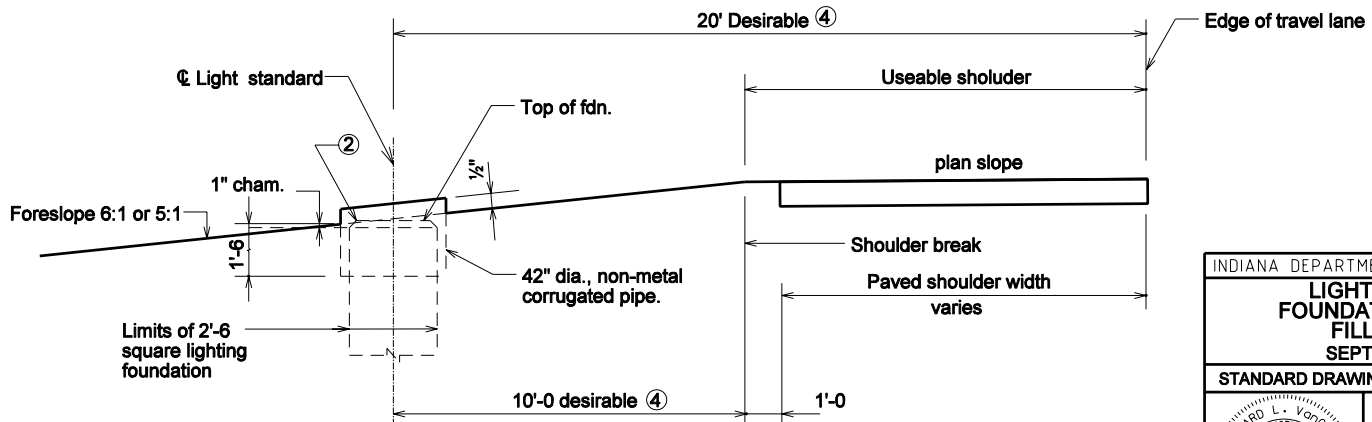


ELEVATION, FILL SECTION, 6:1 OR 5:1 SLOPE, ROUND FOUNDATION

Notes:

- ① ② See Standard Drawing E 807-LTFD-05 General Notes.
- 3. Transformer base door shall face the right-of-way line.
- 4 Use which ever gives the greatest offset distance from the edge of the travel lane.



ELEVATION, FILL SECTION, 6:1 OR 5:1 SLOPE, SQUARE FOUNDATION

INDIANA DEPARTMENT OF TRANSPORTATION	
LIGHT STANDARD FOUNDATION GRADING FILL SECTION SEPTEMBER 2005	
STANDARD DRAWING NO. E 807-LTFD-02	
	/s/ Richard L. VanCleave 9-01-05 DESIGN STANDARDS ENGINEER DATE
	/s/ Richard K. Smutzer 9-01-05 CHIEF HIGHWAY ENGINEER DATE
DESIGN STANDARDS ENGINEER	