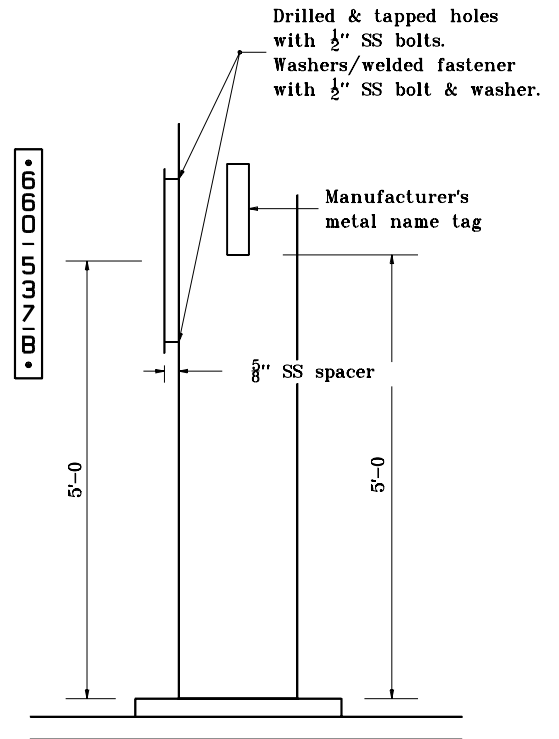


**MOUNTING DETAIL**



**ID PLATES FOR HIGH MAST POLE**

INDIANA DEPARTMENT OF TRANSPORTATION	
<b>HIGH MAST POLE ID PLATES</b>	
MARCH 1995	
<b>STANDARD DRAWING NO. E 807-LTHM-01</b>	
DETAILS PLACED IN THIS FORMAT 11-15-99	
	/s/ Anthony L. Uremovich 11-15-99 <small>DESIGN STANDARDS ENGINEER DATE</small>
	/s/ Firooz Zandi 11-15-99 <small>CHIEF HIGHWAY ENGINEER DATE</small>
	<small>ORIGINALLY APPROVED 3-01-95</small>