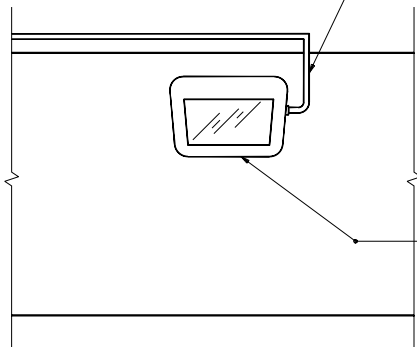
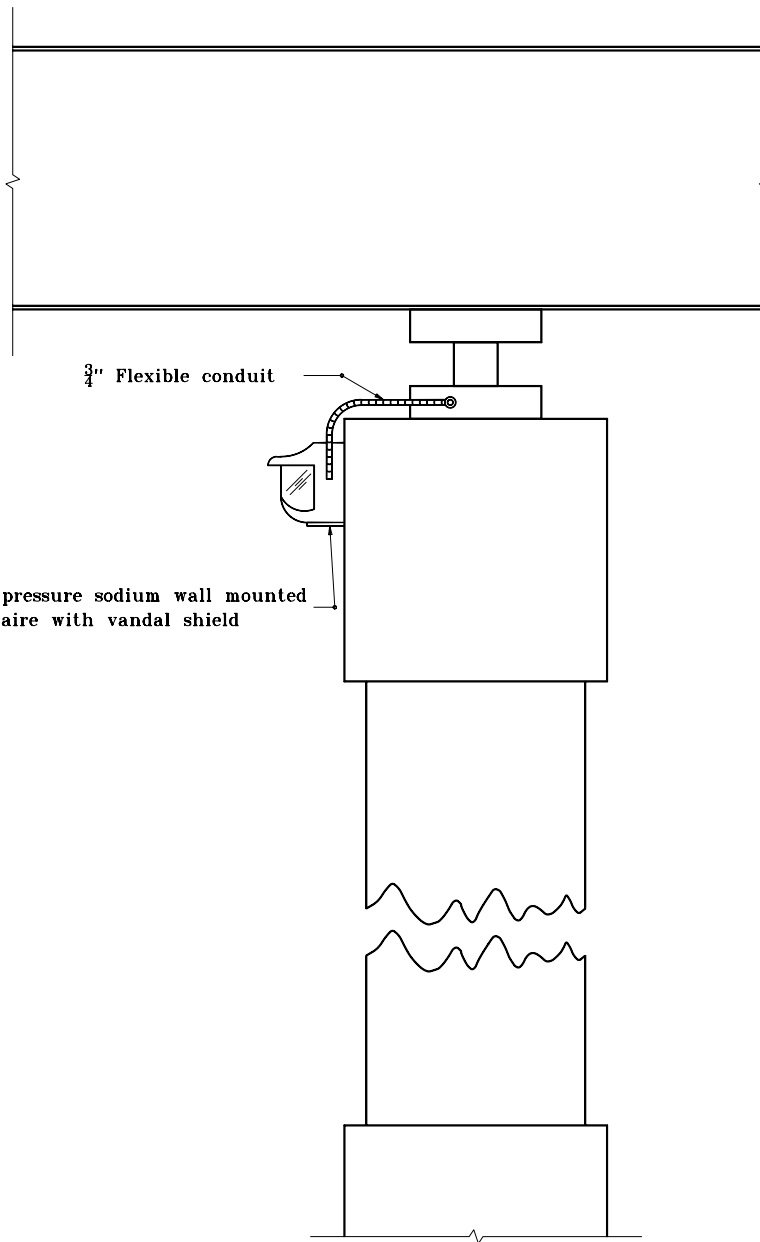


Conduit shall enter underpass luminaire from the side, except for pendant mounting

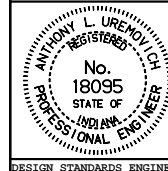


High pressure sodium wall mounted luminaire with vandal shield



INDIANA DEPARTMENT OF TRANSPORTATION
UNDERPASS LIGHTING DETAILS
WALL MOUNTING
 MARCH 1995

STANDARD DRAWING NO. **E 807-LTUP-03**



DETAILS PLACED IN THIS FORMAT 7-27-99

/s/ Anthony L. Uremovich 7-27-99
 DESIGN STANDARDS ENGINEER DATE

/s/ Firooz Zandi 7-27-99
 CHIEF HIGHWAY ENGINEER DATE

DESIGN STANDARDS ENGINEER

ORIGINALLY APPROVED 3-01-95