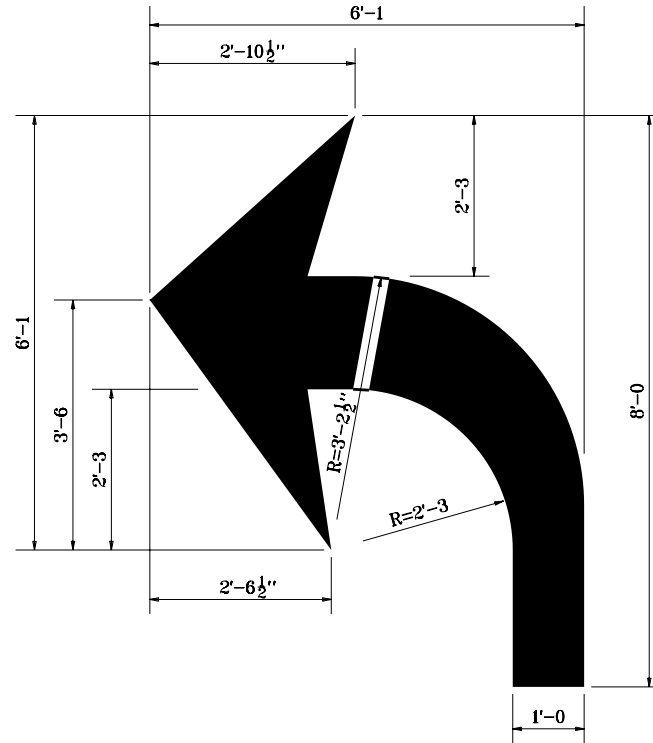
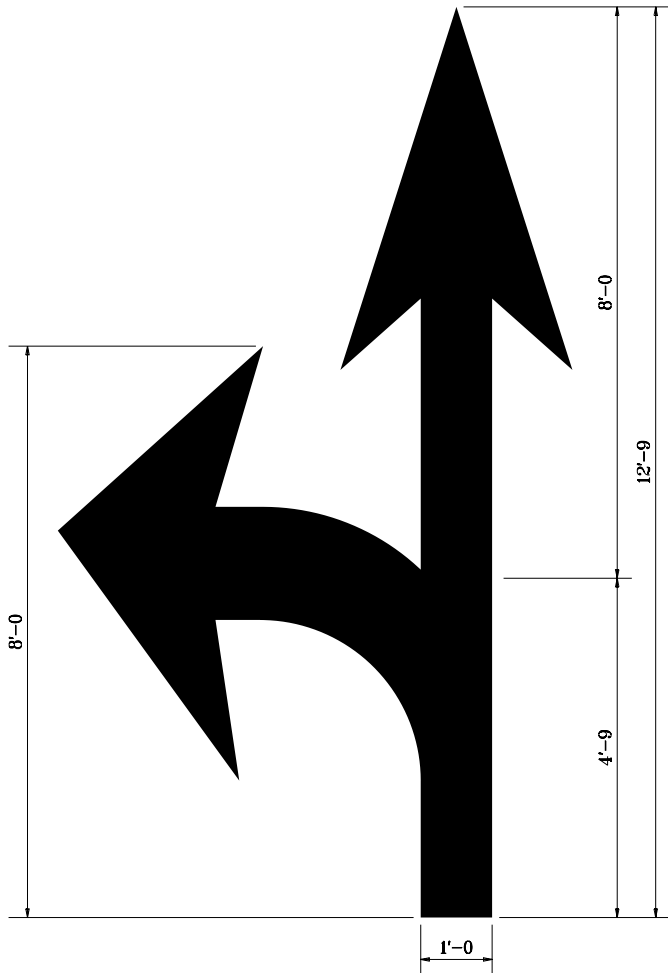


GENERAL NOTES

1. The tip of the lane indication arrow closest to the stop line shall be 20 ft in advance of the nearest edge of the stop line.

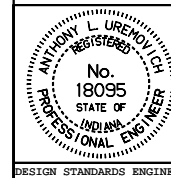


INDIANA DEPARTMENT OF TRANSPORTATION

TRANSVERSE MARKINGS

MARCH 1995

STANDARD DRAWING NO. **E 808-MKPM-02**



DETAILS PLACED IN THIS FORMAT 7-27-99

/s/ Anthony L. Uremovich 7-27-99
DESIGN STANDARDS ENGINEER DATE

/s/ Firooz Zandi 7-27-99
CHIEF HIGHWAY ENGINEER DATE

DESIGN STANDARDS ENGINEER

ORIGINALLY APPROVED 3-01-95