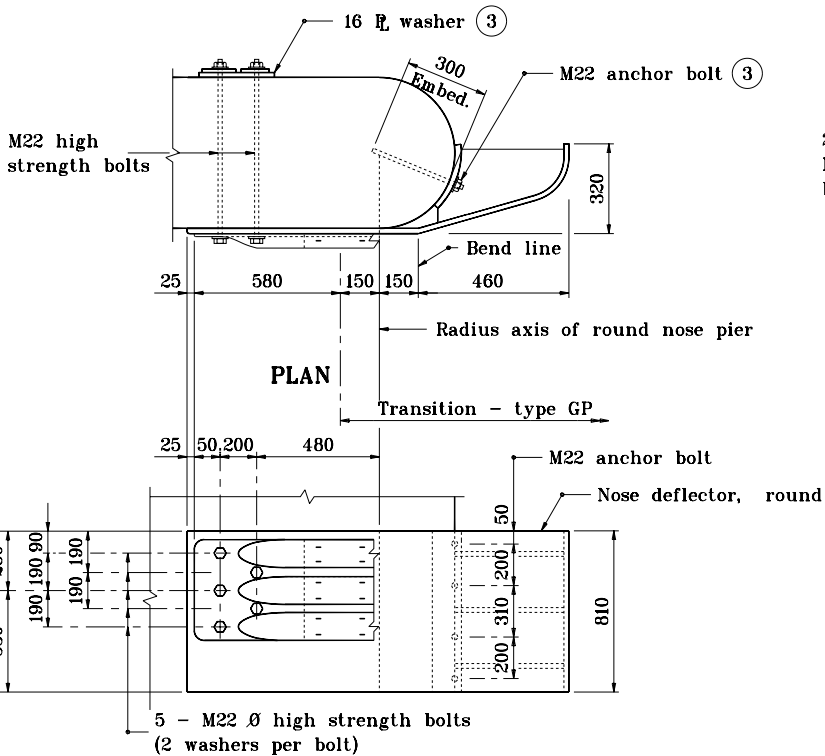


Radius	A	B	C	D
310	70	240	285	70
340	55	265	250	110
380	45	290	220	150
420	40	320	185	185
460	30	340	160	220

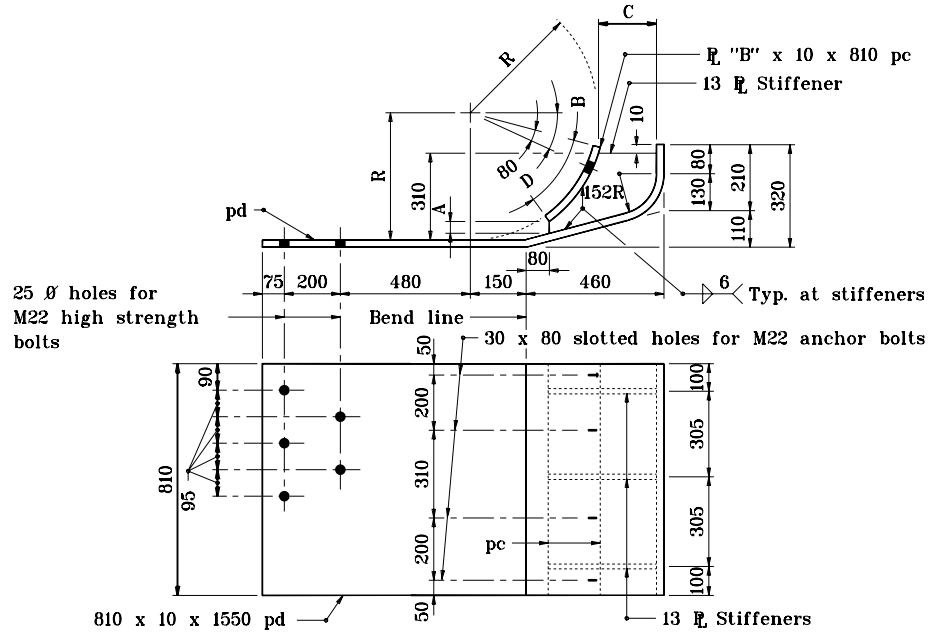


**ELEVATION**

**ATTACHMENT AT ROUND NOSE PIER**

**GENERAL NOTES**

1. This sheet shall be used when guardrail transition type GP is specified to connect W-beam guardrail to a pier or frame bent collision wall.
2. The details on this sheet are for the assembly and installation of the deflector components for connecting guardrail transition type GP to a pier or frame bent collision wall.
3. See Standard Drawing 601-TPGP-01 for anchor bolt and plate washer details.



**DETAIL OF NOSE DEFLECTOR - ROUND**

All dimensions are in mm unless otherwise specified.

INDIANA DEPARTMENT OF TRANSPORTATION	
<b>TRANSITION AT PIER TYPE GP</b>	
SEPTEMBER 1998	
STANDARD DRAWING NO. <b>601-TPGP-02</b>	
	/s/ Anthony L. Uremovich 9-01-98 DESIGN STANDARDS ENGINEER DATE
	/s/ Donald W. Lucas 9-01-98 CHIEF HIGHWAY ENGINEER DATE

Source Sheet: **T-4**