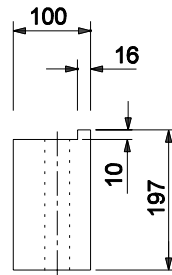
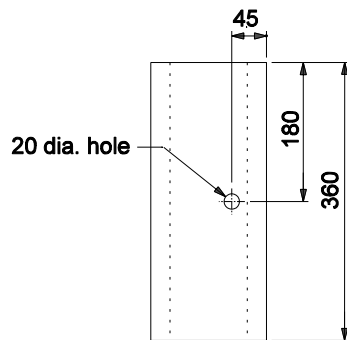


TOP VIEW

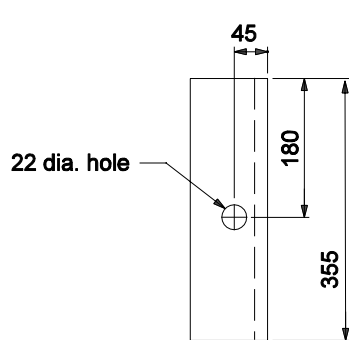


TOP VIEW



FRONT VIEW

TIMBER BLOCK DETAIL A

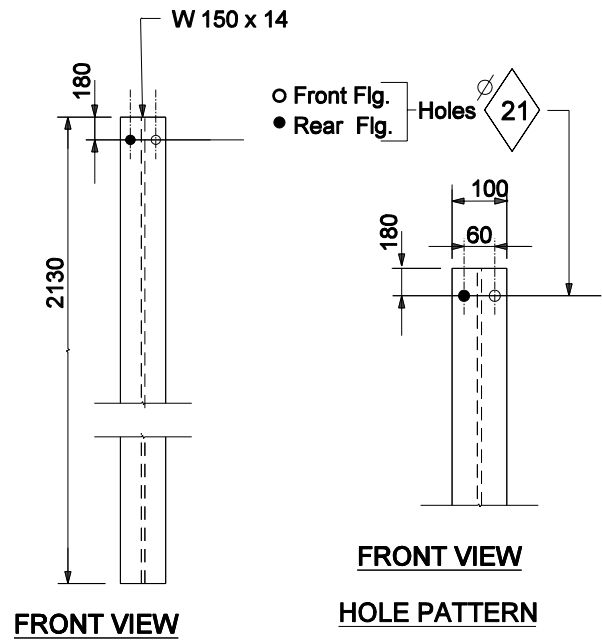


FRONT VIEW

TIMBER BLOCK DETAIL B

NOTES:

- ① These dimensions shall be adjusted as required to accommodate steel post flange.
- 2 Timber blocks shown in either Detail A or Detail B may be used.



STEEL POST DETAIL

All dimensions are in mm unless otherwise specified

INDIANA DEPARTMENT OF TRANSPORTATION

**W - BEAM
GUARDRAIL COMPONENTS**

SEPTEMBER 2004

STANDARD DRAWING NO. 601-WBGC-03

	<p><i>/s/ Richard L. VanCleave</i> 3-01-04 DESIGN STANDARDS ENGINEER DATE</p> <p><i>/s/ Richard K. Smutzer</i> 3-01-04 CHIEF HIGHWAY ENGINEER DATE</p>
--	--

DESIGN STANDARDS ENGINEER