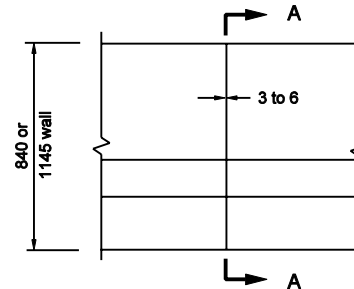
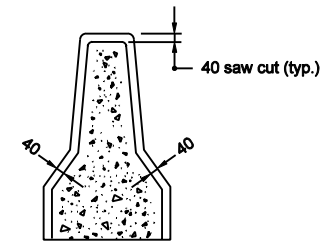


JOINT A

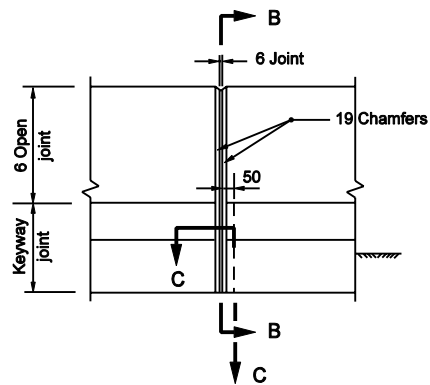


JOINT B

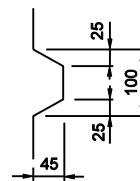


SECTION A-A

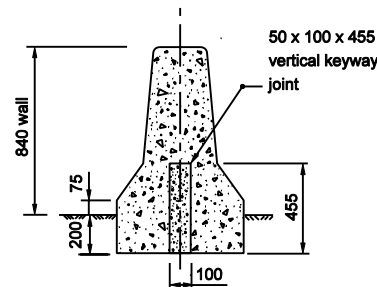
FORMED IN PLACE OR SLIP FORMED JOINTS



JOINT C



SECTION C-C



SECTION B-B

PRECAST JOINT

NOTES :

1. See Standard Drawing 602-CCMB-01 for joint placement.

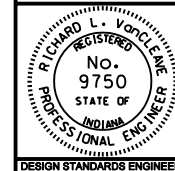
All Dimension are in mm unless otherwise specified

INDIANA DEPARTMENT OF TRANSPORTATION

CONCRETE BARRIER JOINT

MARCH 2003

STANDARD DRAWING NO. 602-CCMB-02



/s/ Richard L. VanCleave 3-03-03
DESIGN STANDARDS ENGINEER DATE

/s/ Richard K. Smutzer 3-03-03
CHIEF HIGHWAY ENGINEER DATE

DESIGN STANDARDS ENGINEER