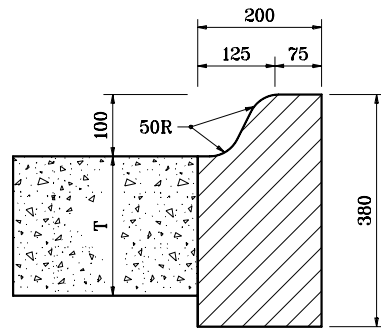
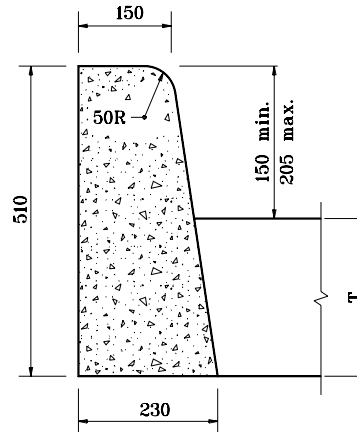


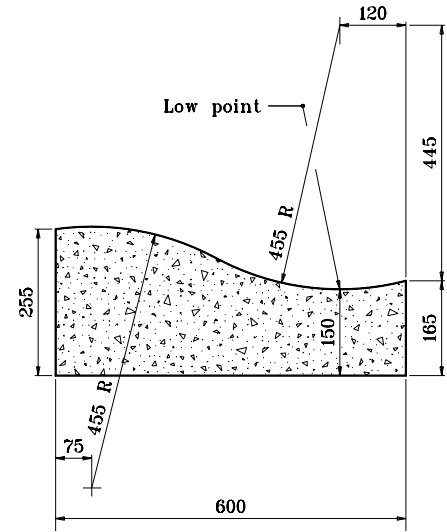
**ASPHALT CURB
(MOUNTABLE)**



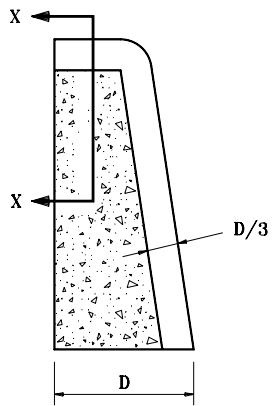
**CONCRETE CURB
TYPE B
(MOUNTABLE)**



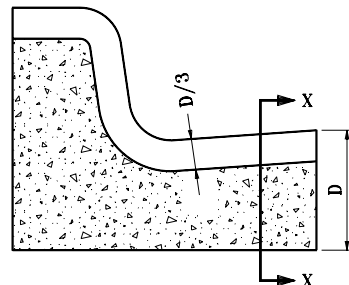
**CONCRETE CURB
(BARRIER)**



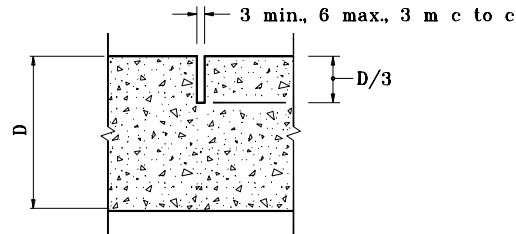
**ROLLED CURB
(MOUNTABLE)**



CURB



COMBINED CURB & GUTTER



SECTION X-X

SAWED CONTRACTION JOINTS FOR CURB AND COMBINED CURB & GUTTER

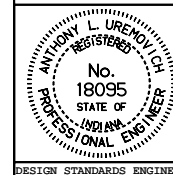
All dimensions are in mm unless otherwise specified.

INDIANA DEPARTMENT OF TRANSPORTATION

**CONCRETE AND ASPHALT
CURBS AND SAWED JOINTS**

MAY 2000

STANDARD DRAWING NO. **605-CCSJ-01**



/s/ Anthony L. Uremovich 5-01-00
DESIGN STANDARDS ENGINEER DATE

/s/ Firooz Zandi 5-01-00
CHIEF HIGHWAY ENGINEER DATE

DESIGN STANDARDS ENGINEER