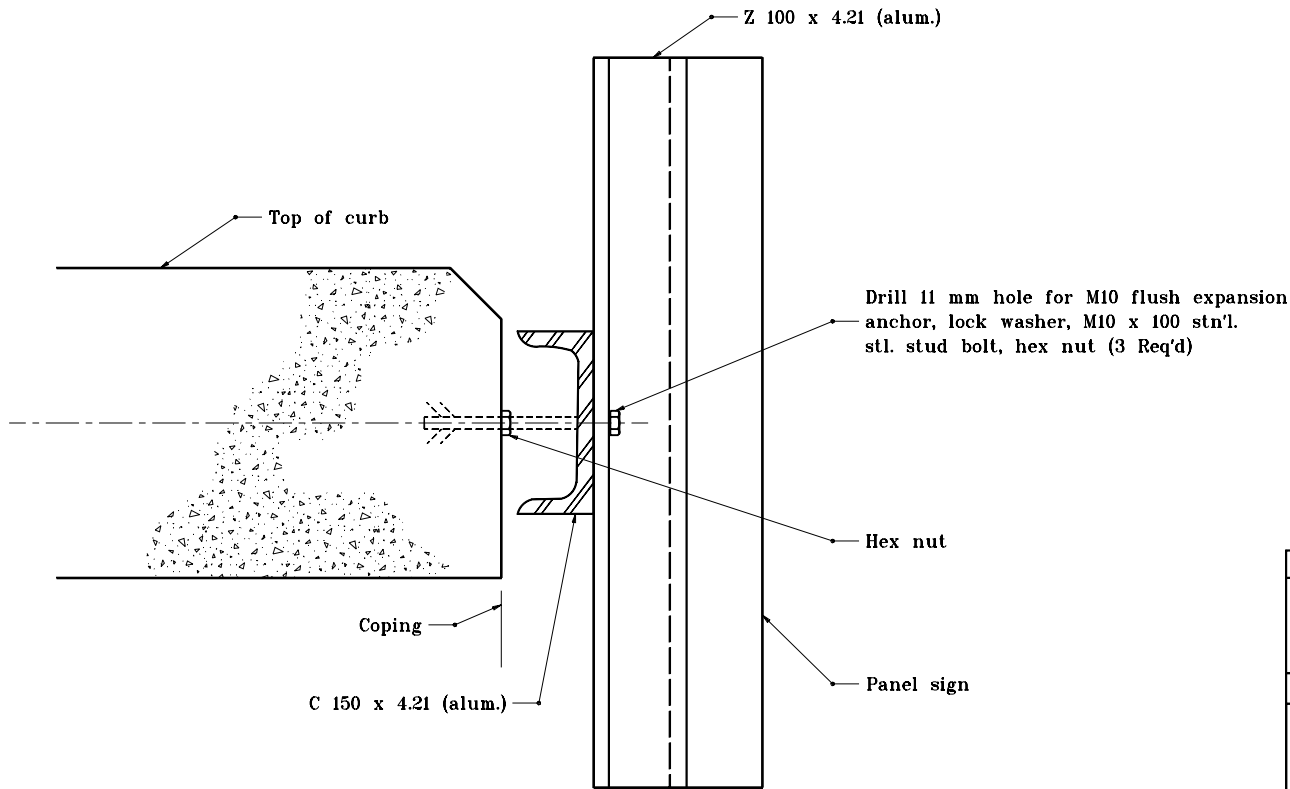


**PLAN (TYPE A)**  
**0° CONNECTION**



**SECTION A-A**

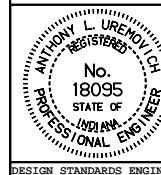
All dimensions are in mm unless otherwise specified.

INDIANA DEPARTMENT OF TRANSPORTATION

**BRIDGE BRACKET ASSY. FOR  
CROSSROAD SIGNING**

SEPTEMBER 2001

STANDARD DRAWING NO. **802-SNBB-01**



*/s/ Anthony L. Uremovich* 9-04-01  
DESIGN STANDARDS ENGINEER DATE

*/s/ Firooz Zandi* 9-04-01  
CHIEF HIGHWAY ENGINEER DATE

DESIGN STANDARDS ENGINEER