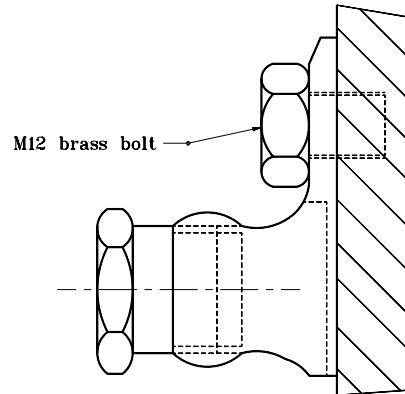
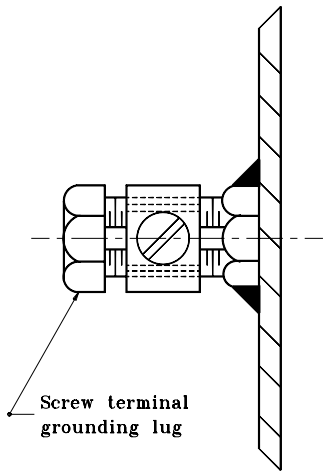


**GENERAL NOTES**  
 1. Oxidation inhibitor shall be liberally applied to all surfaces that mate with a dissimilar material.



**ALTERNATIVE GROUNDING POSTS DETAIL A**

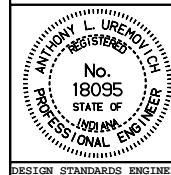
All dimensions are in mm unless otherwise specified.

INDIANA DEPARTMENT OF TRANSPORTATION

**SIGN WIRING DETAILS**

SEPTEMBER 2001

STANDARD DRAWING NO. 802-SNWR-03



*/s/ Anthony L. Uremovich* 9-04-01  
 DESIGN STANDARDS ENGINEER DATE

*/s/ Firooz Zandi* 9-04-01  
 CHIEF HIGHWAY ENGINEER DATE

DESIGN STANDARDS ENGINEER