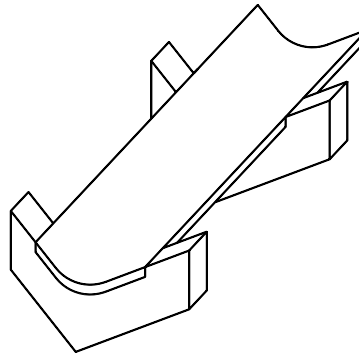
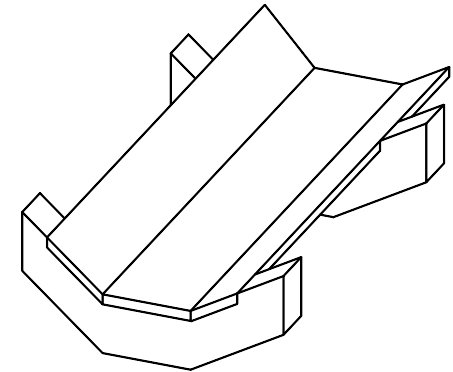


**SECTION A-A**



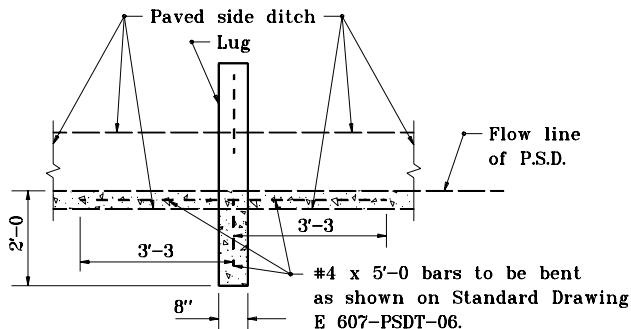
**ISOMETRIC VIEW**

**PAVED SIDE DITCH TYPE A THROUGH D**

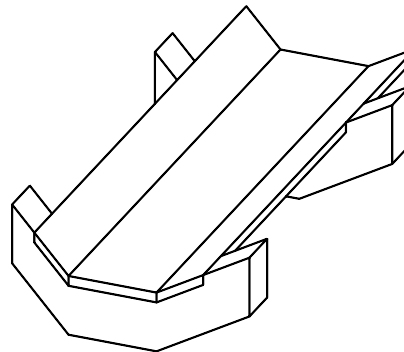


**ISOMETRIC VIEW**

**PAVED SIDE DITCH TYPES J THROUGH M**



**SECTION B-B**



**ISOMETRIC VIEW**

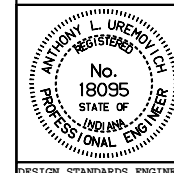
**PAVED SIDE DITCH TYPE E THROUGH H**

INDIANA DEPARTMENT OF TRANSPORTATION

**PAVED SIDE DITCH  
SECTIONS AND ISOMETRICS**

SEPTEMBER 1997

STANDARD DRAWING NO. **E 607-PSDT-02**



DETAILS PLACED IN THIS FORMAT 11-15-99

*/s/ Anthony L. Uremovich* 11-15-99  
DESIGN STANDARDS ENGINEER DATE

*/s/ Firooz Zandi* 11-15-99  
CHIEF HIGHWAY ENGINEER DATE

DESIGN STANDARDS ENGINEER

ORIGINALLY APPROVED 9-01-97