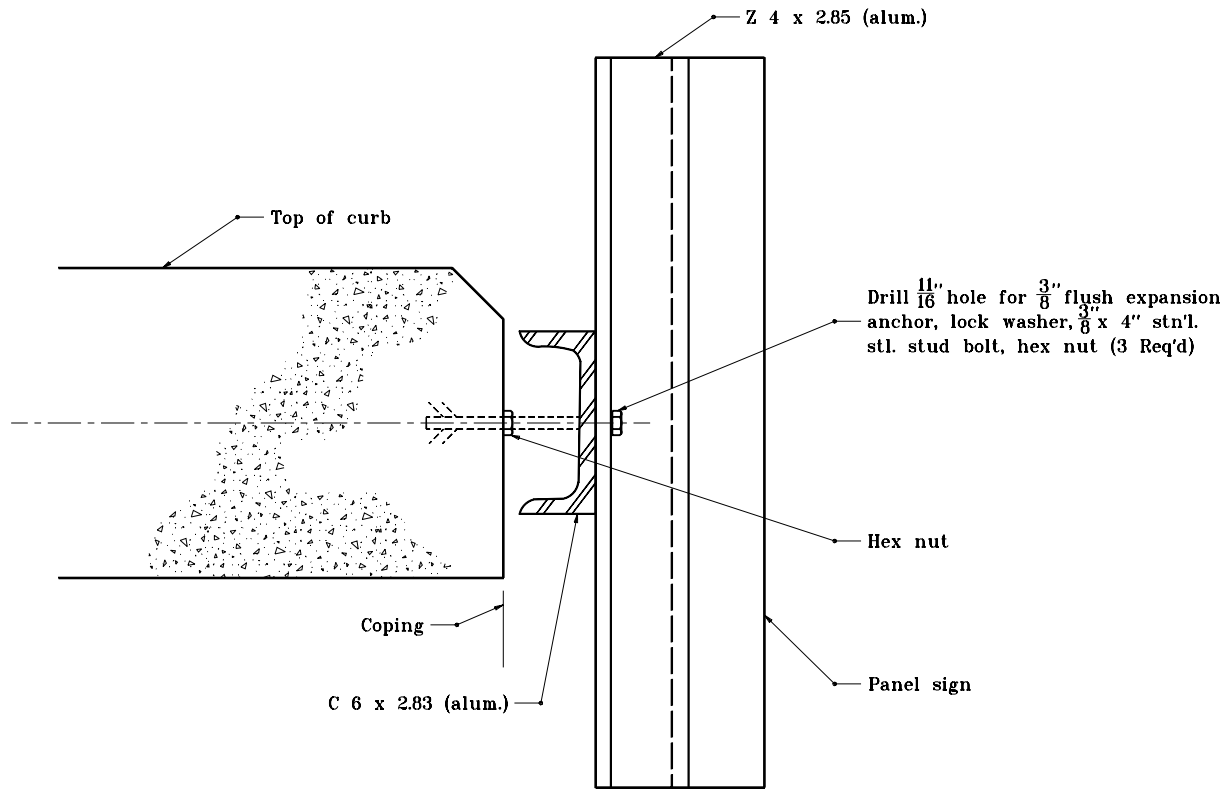


PLAN (TYPE A)
0° CONNECTION



SECTION A-A

INDIANA DEPARTMENT OF TRANSPORTATION	
BRIDGE BRACKET ASSY. FOR CROSSROAD SIGNING	
SEPTEMBER 2001	
STANDARD DRAWING NO. E 802-SNBB-01	
	/s/ Anthony L. Uremovich 9-04-01 DESIGN STANDARDS ENGINEER DATE
	/s/ Firooz Zandi 9-04-01 CHIEF HIGHWAY ENGINEER DATE
DESIGN STANDARDS ENGINEER	